

TEAC

A-R650

Integrated Stereo Amplifier

OWNER'S MANUAL**MANUEL DU PROPRIÉTAIRE****MANUAL DEL USUARIO****BEDIENUNGSANLEITUNG****MANUALE DI ISTRUZIONI****HANDLEIDING**

ENGLISH

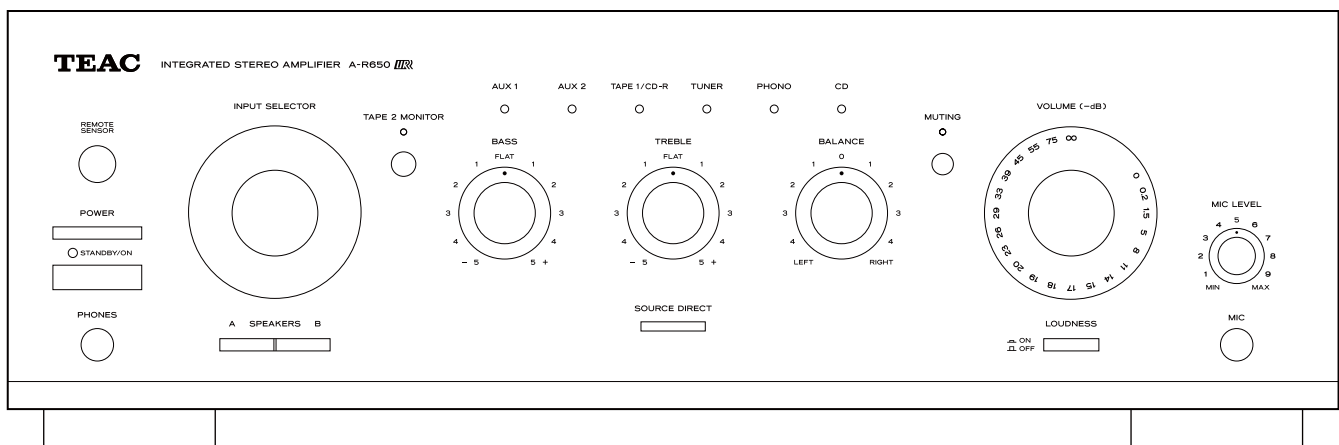
FRANÇAIS

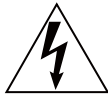
ESPAÑOL

DEUTSCH

ITALIANO

NEDERLANDS





CAUTION
RISK OF ELECTRIC SHOCK
DO NOT OPEN



CAUTION: TO REDUCE THE RISK OF ELECTRIC SHOCK, DO NOT REMOVE COVER (OR BACK). NO USER-SERVICEABLE PARTS INSIDE. REFER SERVICING TO QUALIFIED SERVICE PERSONNEL.



The lightning flash with arrowhead symbol, within an equilateral triangle, is intended to alert the user to the presence of uninsulated "dangerous voltage" within the product's enclosure that may be of sufficient magnitude to constitute a risk of electric shock to persons.



The exclamation point within an equilateral triangle is intended to alert the user to the presence of important operating and maintenance (servicing) instructions in the literature accompanying the appliance.

IMPORTANT SAFETY INSTRUCTIONS

- 1) Read these instructions.
- 2) Keep these instructions.
- 3) Heed all warnings.
- 4) Follow all instructions.
- 5) Do not use this apparatus near water.
- 6) Clean only with dry cloth.
- 7) Do not block any ventilation openings. Install in accordance with the manufacturer's instructions.
- 8) Do not install near any heat sources such as radiators, heat registers, stoves, or other apparatus (including amplifiers) that produce heat.
- 9) Do not defeat the safety purpose of the polarized or grounding-type plug. A polarized plug has two blades with one wider than the other. A grounding type plug has two blades and a third grounding prong. The wide blade or the third prong are provided for your safety. If the provided plug does not fit into your outlet, consult an electrician for replacement of the obsolete outlet.
- 10) Protect the power cord from being walked on or pinched particularly at plugs, convenience receptacles, and the point where they exit from the apparatus.
- 11) Only use attachments/accessories specified by the manufacturer.
- 12) Use only with the cart, stand, tripod, bracket, or table specified by the manufacturer, or sold with the apparatus. When a cart is used, use caution when moving the cart/apparatus combination to avoid injury from tip-over.
- 13) Unplug this apparatus during lightning storms or when unused for long periods of time.
- 14) Refer all servicing to qualified service personnel. Servicing is required when the apparatus has been damaged in any way, such as power-supply cord or plug is damaged, liquid has been spilled or objects have fallen into the apparatus, the apparatus has been exposed to rain or moisture, does not operate normally, or has been dropped.



- Do not expose this apparatus to drips or splashes.
- Do not place any objects filled with liquids, such as vases, on the apparatus.
- Do not install this apparatus in a confined space such as a book case or similar unit.
- The apparatus draws nominal non-operating power from the AC outlet with its POWER or STANDBY/ON switch not in the ON position.
- The apparatus should be located close enough to the AC outlet so that you can easily reach the power cord plug at any time.
- The mains plug is used as the disconnect device, the disconnect device shall remain readily operable.
- If the product uses batteries (including a battery pack or installed batteries), they should not be exposed to sunshine, fire or excessive heat.
- CAUTION for products that use replaceable lithium batteries: there is danger of explosion if a battery is replaced with an incorrect type of battery. Replace only with the same or equivalent type.
- Caution should be taken when using earphones or headphones with the product because excessive sound pressure (volume) from earphones or head-phones can cause hearing loss.

WARNING: TO PREVENT FIRE OR SHOCK HAZARD, DO NOT EXPOSE THIS APPLIANCE TO RAIN OR MOISTURE.

CAUTION

- DO NOT REMOVE THE EXTERNAL CASES OR CABINETS TO EXPOSE THE ELECTRONICS. NO USER SERVICEABLE PARTS ARE WITHIN.
- IF YOU ARE EXPERIENCING PROBLEMS WITH THIS PRODUCT, CONTACT TEAC FOR A SERVICE REFERRAL. DO NOT USE THE PRODUCT UNTIL IT HAS BEEN REPAIRED.

Contents

Thank you for choosing TEAC. Read this manual carefully to get the best performance from this unit.

Before Using the Unit	3
Connection	4
Names of Each Control	6
Remote Control Unit	8
Basic Operation	8
Basic Operation 2	10
TroubleShooting	11
Specifications	12

Before Using the Unit

Read this before operation

- As the unit may become warm during operation, always leave sufficient space around the unit for ventilation.
- The voltage supplied to the unit should match the voltage as printed on the rear panel. If you are in any doubt regarding this matter, consult an electrician.
- Choose the installation location of your unit carefully. Avoid placing it in direct sunlight or close to a source of heat. Also avoid locations subject to vibrations and excessive dust, heat, cold or moisture.
- Do not place the unit on the amplifier/receiver.
- Do not open the cabinet as this might result in damage to the circuitry or electrical shock. If a foreign object should get into the set, contact your dealer or service agency.
- When removing the power plug from the wall outlet, always pull directly on the plug, never yank the cord.
- Do not attempt to clean the unit with chemical solvents as this might damage the finish. Use a clean, dry or slightly damp cloth.
- Keep this manual in a safe place for future reference.
- The operations are illustrated using the European model for example in this manual.

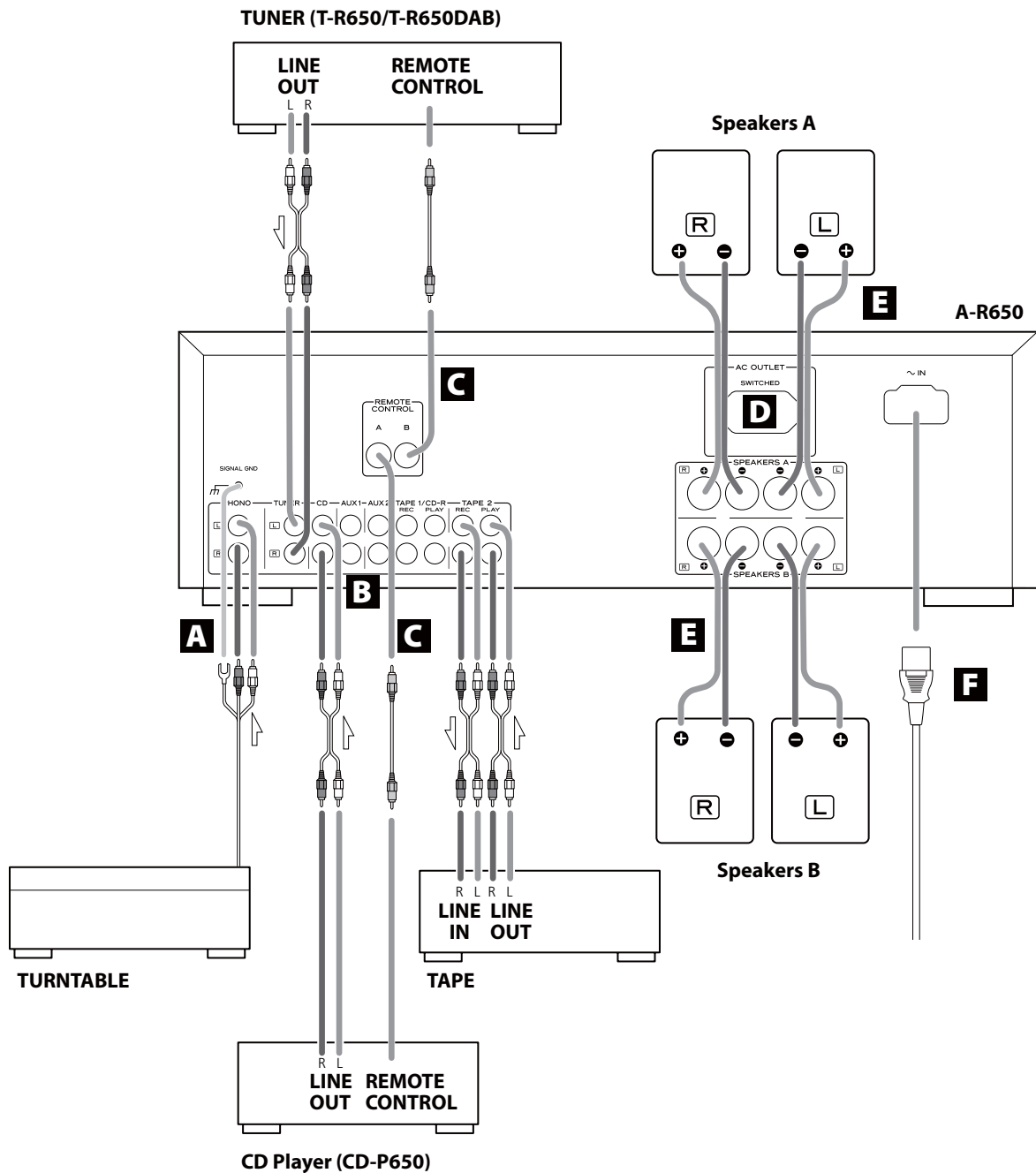
Maintenance

If the surface of the unit gets dirty, wipe with a soft cloth or use diluted neutral cleaning liquid. Be sure to remove any fluid completely. Do not use thinner, benzine or alcohol as they may damage the surface of the unit.

Connection

CAUTION:

- Switch off the power to all equipment before making connections.
- Read the instructions of each component you intend to use with this unit.
- Be sure to insert each plug securely. To prevent hum and noise, avoid bundling the signal interconnection cables together with the AC power cord or speaker cables.



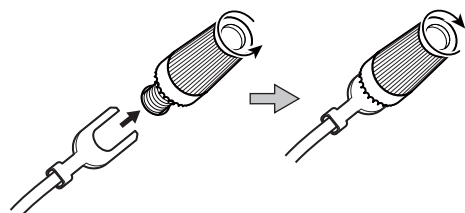
- PHONO → Turntable
- TUNER → Tuner (T-R650/T-R650DAB)
- CD → CD player (CD-P650)
- AUX 1/AUX 2 → Audio component, etc.
- TAPE1/CD-R → Cassette tape deck, CD recorder, etc.
- TAPE2 → Cassette tape deck

A PHONO jacks/SIGNAL GND terminal

Connect the turntable's RCA pin cords to PHONO jacks. Make sure to connect:

- white plug → white jack (L: left channel)
- red plug → red jack (R: right channel)

Connect the turntable's ground cord to SIGNAL GND terminal.



B AUDIO IN/OUT jacks

Analog 2-channel audio signal is input or output from these jacks. Connect the component with commercially-available RCA cables.

Make sure to connect:

- white plug → white jack (L: left channel)
- red plug → red jack (R: right channel)

C REMOTE CONTROL jacks

If you have TEAC T-R650, TR-650DAB or CD-P650, connect the REMOTE CONTROL jack (A or B) of each component by the remote control cord (provided with the T-R650, T-R650DAB or CD-P650).

D AC Outlet (switched)

This outlet is active only when the unit is on.

Caution:

Make sure that the total power consumption of all equipment connected to the outlet does not exceed 500mA or 100 watts.

E Speaker Connections

Caution:

To avoid damaging the speakers with a sudden high-level signal, be sure to switch the power off before connecting the speakers.

- Check the impedance of your speakers. Connect speaker with an impedance of 4 to 16 ohms when using only one pair of speakers (SPEAKERS A or SPEAKERS B). When using two pairs of speakers simultaneously, the impedance should be 8 to 16 ohms.
- The black speaker terminals are \ominus (negative). Generally, the \oplus side of the speaker cable is marked to make it distinguishable from the \ominus side of the cable. Connect this marked side to the \oplus terminal and the unmarked side to the black \ominus terminal.

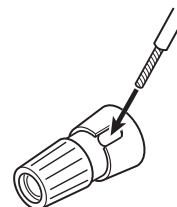
Caution:

The metal portions of the two separate wires should not touch or an electrical short can occur. Shorted wires can create a fire hazard or induce a failure in your equipment.

How to connect

Speakers A, B

1. Turn the terminal cap counterclockwise to loosen it. The speaker terminal caps cannot be fully removed from the base.
2. Insert the wire into the terminal fully and turn the terminal cap clockwise to securely connect it.



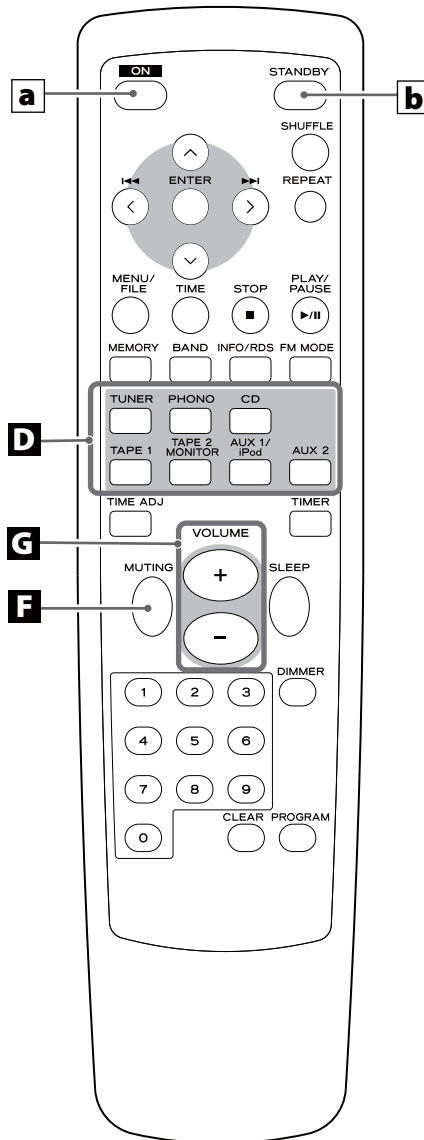
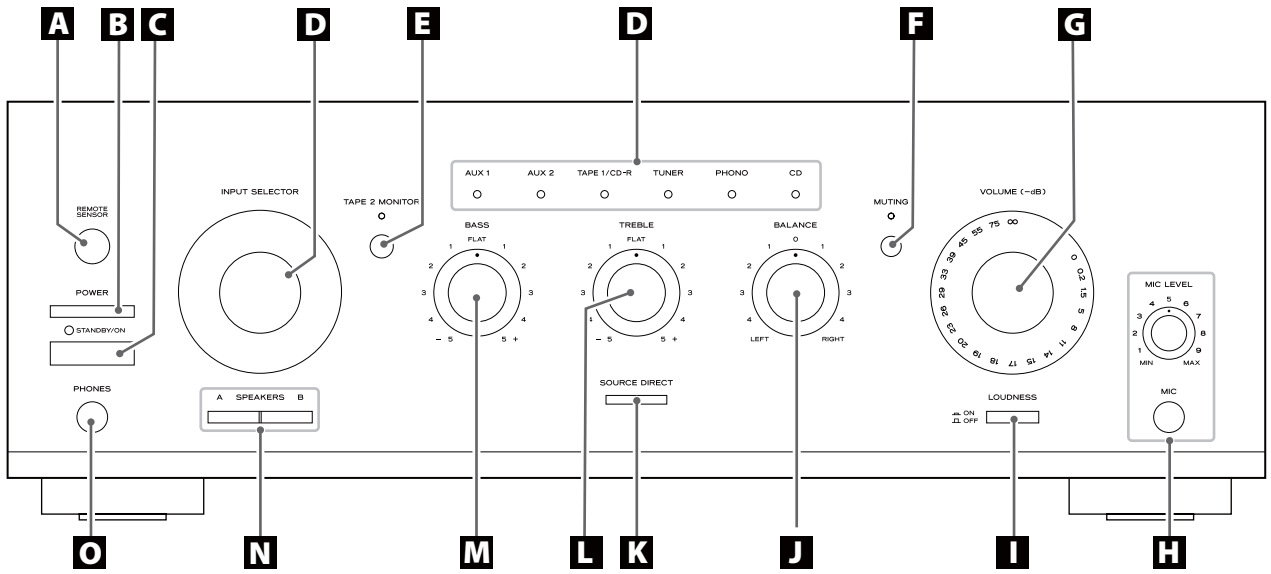
- Make sure none of the wire insulation is under the terminal, only the bare, stripped wire.
- Make sure the wire is fastened firmly by pulling the cable lightly.

F AC INLET

Use only the supplied power cord.

- Use of other power cord may result in fire or electric shock.
- Unplug the power cord when you are not going to use the unit for long periods of time.
- Be sure to connect the power cord to an AC outlet which supplies the correct voltage.
- Hold the power plug when plugging or unplugging the power cord. Never pull or yank on the power cord.

Names of Each Control



A Remote Sensor

When operating the remote control unit, point it towards the REMOTE SENSOR.

B POWER

Press this switch to turn the unit standby or off.

C STANDBY/ON

When the power switch of the main unit is depressed, use this button to turn the unit on or standby.

The standby indicator lights when the unit is in the standby mode. When the unit is turned on, it goes off.

D INPUT SELECTOR

Use this knob (or buttons of the remote control unit) to select a source.

One of the indicators lights to show the selected source.

E TAPE 2 MONITOR

When a cassette tape deck is connected to the TAPE 2 jacks, use this button to turn on or off the tape monitor function.

The indicator lights when the tape monitor function is on.

F MUTING

Use this button to mute the sound.

This indicator blinks during the muting.

G VOLUME

Turn this knob (or press the VOLUME buttons of the remote control unit) to adjust the volume.

H MIC Jack and MIC LEVEL knob

With the microphone plugged into this jack, the sound picked up from the microphone will be heard together with the source sound selected by the INPUT SELECTOR.

Turn the MIC LEVEL knob to adjust the input level of the microphone.

I LOUDNESS

Use this button to compensate for the loss of bass at low volumes.

J BALANCE

Use this knob to adjust the balance of the speakers.

Normally, set the knob to the center position.

K SOURCE DIRECT

Press this button to turn on or off the source direct function.

When the source direct function is set to on, the button lights and you can listen to the sound without tone effects.

L TREBLE

Use this knob to adjust the level of high frequency information.

M BASS

Use this knob to adjust the level of low frequency information.

N SPEAKERS buttons

Use these buttons to turn on or off the speakers.

on : Sound is output from the speakers.

off : No sound is output from the speakers.

O PHONES jack

For private listening, insert the headphones plug into this jack, and adjust the volume by turning the VOLUME knob.

Remote Control Unit

When operating the CD Player (CD-P650) or the tuner (T-R650/T-R650DAB) using the remote control unit, select a source first using INPUT SELECTOR buttons (boxed **D**) on the remote control unit.

a ON

When the POWER switch of the main unit is depressed, use this button to turn the unit on.

b STANDBY


When the POWER switch of the main unit is depressed, use this button to turn the unit standby.

Other buttons are used for operation of TEAC's CD-P650, T-R650 and T-R650DAB.

Note:

- To simplify explanations, instructions in this manual refer to the names of the buttons and controls on the front panel only. Associated controls on the remote control will also operate similarly.

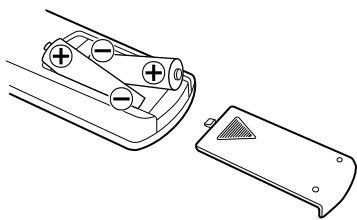
Remote Control Unit

The amplifier and some other TEAC components which have  mark on the front panel can be operated by the provided "UR" remote control unit.

When operating the remote control unit, point it towards the REMOTE SENSOR on the front panel of the amplifier (or other TEAC component).

- Even if the remote control unit is operated within the effective range, remote control operation may be impossible if there are any obstacles between the unit and the remote control.
- If the remote control unit is operated near other appliances which generate infrared rays, or if other remote control devices using infrared rays are used near the unit, it may operate incorrectly. Conversely, the other appliances may operate incorrectly.

Battery Installation



1. Remove the battery compartment cover.
2. Insert two "AAA" (R03, UM-4) dry batteries. Make sure that the batteries are inserted with their positive "⊕" and negative "⊖" poles positioned correctly.
3. Close the cover.

Battery Replacement

If the distance required between the remote control unit and main unit decreases, the batteries are exhausted. In this case replace the batteries with new ones.

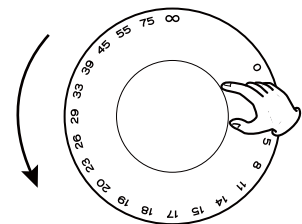
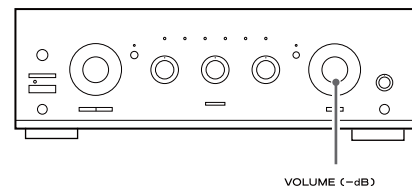
For more information about collection of batteries, please contact your local municipality, your waste disposal service or the point of sale where you purchased the items.

Precautions concerning batteries

- Be sure to insert the batteries with correct positive "⊕" and negative "⊖" polarities.
- Use batteries of the same type. Never use different types of batteries together.
- Rechargeable and non-rechargeable batteries can be used. Refer to the precautions on their labels.
- When the remote control unit is not to be used for a long time (more than a month), remove the batteries from the remote control unit to prevent them from leaking.
- If the batteries leak, wipe away the liquid inside the battery compartment and replace the batteries with new ones.
- Do not use any other batteries not specified. Do not mix new batteries with old ones or use different types of batteries together.
- Do not heat or disassemble batteries and never throw them in the fire or water.
- Do not carry or store batteries with other metallic objects. The battery may short circuit, leak or explode.
- Never recharge a battery.

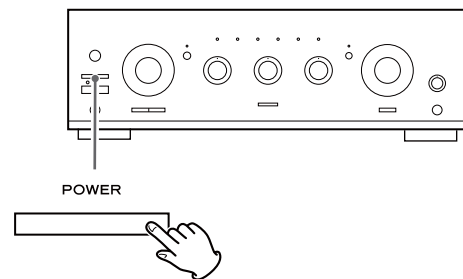
Basic Operation 1

- 1 To protect speakers from a sudden high-level signal, turn the VOLUME knob counterclockwise to minimize the volume.**



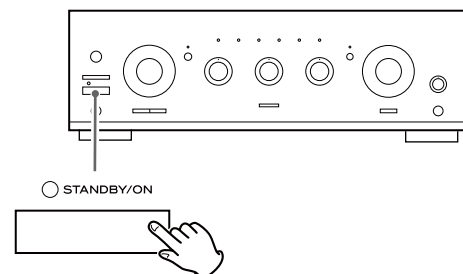
-∞ (infinity): minimum volume
0dB: maximum volume

- 2 Press the POWER switch.**



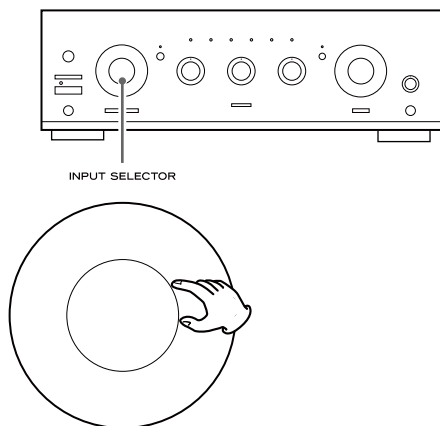
The unit enters standby mode, and the standby indicator lights.

- 3 Press the STANDBY/ON switch to turn the unit on.**



The standby indicator goes off.

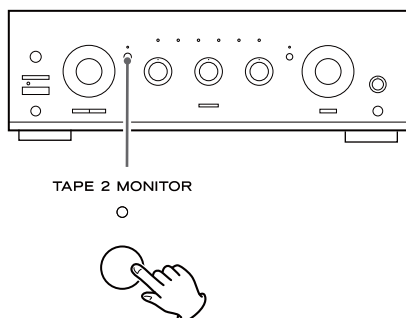
- 4** Select a source by turning the **INPUT SELECTOR** (or pressing one of the input buttons of the remote control unit).



Tape Monitor Function

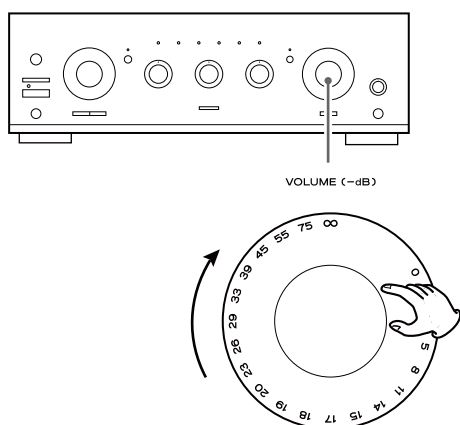
If you want to select the source connected to TAPE 2 jacks, press the TAPE 2 MONITOR button to turn the tape monitor function on. The TAPE 2 MONITOR indicator lights.

Press the TAPE MONITOR button again to cancel the tape monitor function.



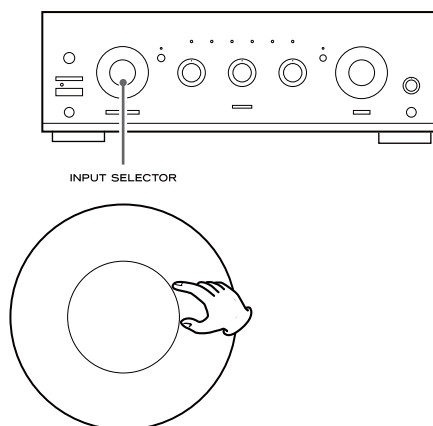
- When the tape monitor function is on, sources other than TAPE 2 cannot be heard. Be sure to turn the function off while listening to other sources.

- 5** Play the source, and gradually turn up the volume to the required level by turning the **VOLUME** knob.



Recording

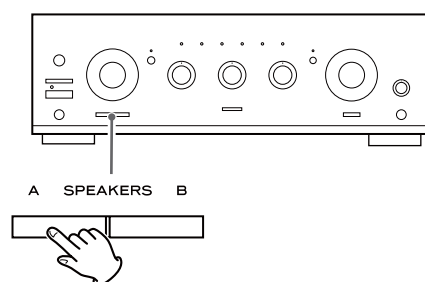
- 1. Select a source to be recorded by turning the INPUT SELECTOR.**



- 2. Start recording.**

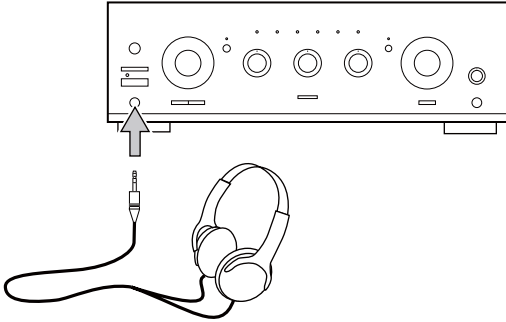
- The volume and tone control have no effect on the recording signals.
- If a 3-head cassette tape deck is connected to TAPE 2 (PLAY and REC) jacks, and if the tape monitor function is set to on during recording, you can listen to not the source sound but the sound being recorded. Press the TAPE MONITOR button to turn on or off the tape monitor function.

Selecting the speakers



Press the SPEAKERS button (A or B) to turn the speakers on or off.

Listening through headphones



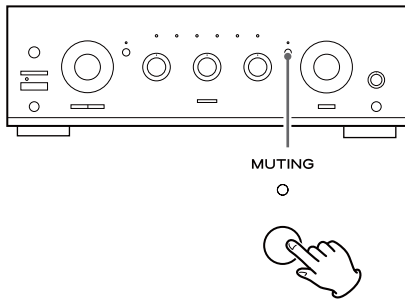
For private listening, first reduce the volume level on the receiver to minimum. Then insert the plug from your headphones into the PHONES jack, and adjust the volume by turning the VOLUME knob.

If you want to cut off the sound from speakers, press the SPEAKERS button to turn it off.

CAUTION

Always lower the volume level prior to plugging in your headphones. TO AVOID DAMAGING YOUR HEARING - Do not place your headphones on your head until after you have plugged them in.

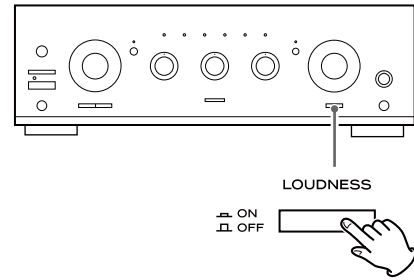
Muting



To mute the sound temporarily, press the MUTING button. Press the MUTING button again to restore the sound.

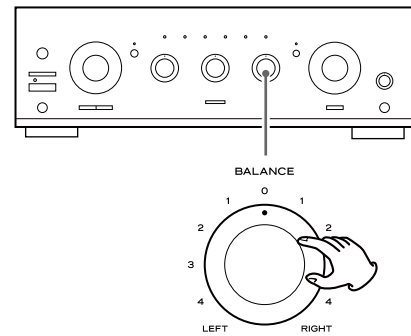
- While muting is engaged, the MUTING indicator blinks.

LOUDNESS button



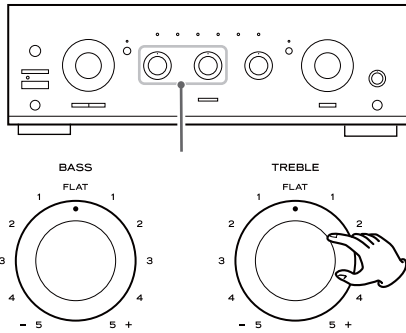
This button compensates for the loss of bass at low volumes. Set this button to the OFF position when listening at normal levels.

How to adjust the balance between the left and right speakers



Turn the BALANCE knob to adjust the balance of the speakers. Normally, set the knob to the center position.

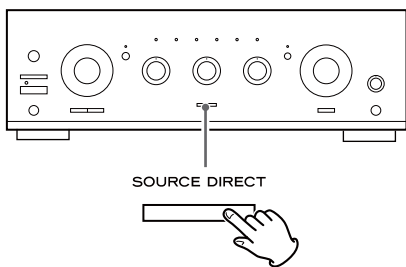
Tone Control



Turn the BASS knob to adjust the level of low frequency information.

Turn the TREBLE knob to adjust the level of high frequency information.

Source Direct



Press this button to turn on or off the source direct function. When the source direct function is set to on, the button lights and you can listen to the sound without tone effects.

If you experience problems with this unit, please take the time to look through this chart and see if you can solve the problem yourself before you call your dealer or TEAC service center.

No power

- Check the connection to the AC power source. Check and make sure the AC source is not a switched outlet and if it is, the switch is turned on. Make sure there is power to the AC outlet by plugging another item such as a lamp or fan.

No sound from speakers.

- Adjust the volume.
- Set the BALANCE control to "0".
- Check the connection to the speakers.
- If your speakers are connected to the SPEAKERS A (or B) terminals, make sure the SPEAKERS A (or B) button on the front panel is depressed.
- If the tape monitor function is ON, press the TAPE 2 MONITOR button to turn it off.

The volume of SPEAKERS A is different from that of B.

- The volume and sound quality may differ depending on the speaker's size, etc. If you want to use SPEAKERS A and B simultaneously with the same volume, connect exactly the same type of speakers to the SPEAKERS A and B terminals.

The sound is noisy or humming.

- The unit is too close to a TV set or similar appliances. Relocate the units so they no longer interfere with each other, or turn them off.
- Connect the turntable's ground cord to the SIGNAL GND terminal.

Sound cuts off during listening to the music or no sound even though power is ON.

- Speaker impedance is less than prescribed for this unit.
- Turn the power off and reduce the volume.

Low bass response.

- Speaker polarity (\oplus/\ominus) is reversed. Check all speakers for correct polarity.

Remote control doesn't work.

- Press the POWER switch of the main unit to turn it on.
- If the batteries are dead, change the batteries.
- Use remote control unit within the range (5m) and point at the front panel.
- Clear obstacles between the remote control unit and the main unit.
- If a strong light is near the unit, turn it off.

If normal operation is not restored, unplug the power cord from the outlet and plug it again.

Specifications

Amplifier Section

Continuous Power Output	120 W+120 W RMS (1 kHz, 4 ohms, 0.5%) 90 W+90 W (1 kHz, 8 ohms, 0.5%)
Total Harmonic Distortion	0.02% (1 kHz, 8 ohms, 60W)
Input Sensitivity/Impedance	PHONO: 2.8 mV/47 k ohms LINE*: 180 mV/47 k ohms
Signal-to-Noise Ratio (IHF-A)	PHONO: 65 dB LINE*: 90 dB
Output Level/Impedance	TAPE: 150 mV/3.3 k ohms
Frequency Response	PHONO: 20 to 20,000 Hz, ± 1 dB (RIAA) LINE*: 5 to 80,000 Hz, (SOURCE DIRECT, 1 W)
Tone Control	BASS: ± 10 dB at 100 Hz TREBLE: ± 10 dB at 10 kHz
Muting	-20 dB

General

Power Requirements	230 V AC, 50 Hz
Power Consumption	300 W Standby 0.5 W
Dimensions (W x H x D)	435 x 142 x 355 mm
Weight (net)	9.2 kg

Standard Accessories

Remote Control Unit (UR-431)	x 1
Battery (AAA, R03, UM-4)	x 2
Owner's Manual	x 1
Warranty Card	x 1
AC Power Cord	x 1

*: LINE means TUNER, CD, AUX1, AUX2, TAPE1/CD-R, TAPE2.

- Design and specifications are subject to change without notice.
- Illustrations may differ slightly from production models.

For European Customers

Information for Users on Collection and Disposal of Old Equipment and used Batteries

These symbols on the products, packaging, and/or accompanying documents mean that used electrical and electronic products and batteries should not be mixed with general household waste. For proper treatment, recovery and recycling of old products and used batteries, please take them to applicable collection points, in accordance with your national legislation and the Directives 2002/96/EC and 2006/66/EC.

By disposing of these products and batteries correctly, you will help to save valuable resources and prevent any potential negative effects on human health and the environment which could otherwise arise from inappropriate waste handling.

For more information about collection and recycling of old products and batteries, please contact your local municipality, your waste disposal service or the point of sale where you purchased the items.

Information on Disposal in other Countries outside the European Union

These symbols are only valid in the European Union. If you wish to discard these items, please contact your local authorities or dealer and ask for the correct method of disposal.

Note for the battery symbol (bottom right two symbol examples):

This symbol might be used in combination with a chemical symbol. In this case it complies with the requirement set by the Directive for the chemical involved.



Pb

Merci d'avoir choisi TEAC. Lisez ce manuel avec attention pour obtenir les meilleures performances possibles de cet appareil.

Avant utilisation.....	13
Connexions.....	14
Noms des commandes.....	16
Boîtier de télécommande.....	18
Fonctions de base.....	18
Dépannage.....	21
Caractéristiques techniques.....	22

ATTENTION

- N'exposez pas cet appareil au ruissellement ni aux éclaboussures.
- Ne placez aucun objet contenant du liquide, tel qu'un vase, sur l'appareil.
- N'installez pas cet appareil dans un espace confiné comme une bibliothèque ou similaire.
- L'appareil tire un courant de veille nominal de la prise secteur quand son interrupteur POWER ou STANDBY/ON est à l'arrêt.
- L'appareil doit être placé assez près de la prise de courant pour que vous puissiez à tout moment attraper facilement la fiche du cordon d'alimentation.
- La fiche d'alimentation sert de dispositif de déconnexion et doit donc toujours rester accessible.
- Si le produit utilise des piles/batteries (y compris un pack de batteries ou des piles installées), elles ne doivent pas être exposées au soleil, au feu ou à une chaleur excessive.
- PRÉCAUTION pour les produits qui utilisent des batteries remplaçables au lithium : remplacer une batterie par un modèle incorrect entraîne un risque d'explosion. Le modèle de remplacement doit être le même ou l'équivalent.
- Des précautions doivent être prises en cas d'utilisation d'écouteurs ou d'un casque avec le produit car une pression sonore excessive (volume trop fort) dans les écouteurs ou dans le casque peut causer une perte auditive.

Lisez les consignes suivantes avant toute utilisation

- Il est possible que l'appareil devienne chaud durant l'utilisation, laissez donc toujours un espace suffisant autour de lui pour la ventilation.
- La tension d'alimentation doit correspondre à la tension imprimée sur le panneau arrière. Si vous avez des doutes concernant l'alimentation de l'appareil, consultez un électricien.
- Choisissez soigneusement l'emplacement de l'appareil. Évitez de l'exposer directement aux rayons solaires ou à une source de chaleur. Évitez aussi les endroits sujets aux vibrations, à une poussière excessive, à la chaleur, au froid et à l'humidité.
- N'installez pas l'appareil au dessus d'un amplificateur/récepteur.
- N'ouvrez pas le boîtier car cela peut endommager le circuit ou causer un choc électrique. Si un objet pénètre dans l'appareil, consultez votre revendeur ou le SAV TEAC.
- Quand vous débranchez le cordon d'alimentation de la prise secteur, tirez toujours sur la prise, jamais sur le cordon.
- N'essayez pas de nettoyer l'appareil avec des solvants chimiques, cela peut endommager la finition. Utilisez un chiffon propre, sec ou légèrement humidifié.
- Conservez ce livret dans un endroit sûr pour référence ultérieure.
- Les opérations illustrées à titre d'exemple dans ce manuel le sont avec le modèle destiné à l'Europe.

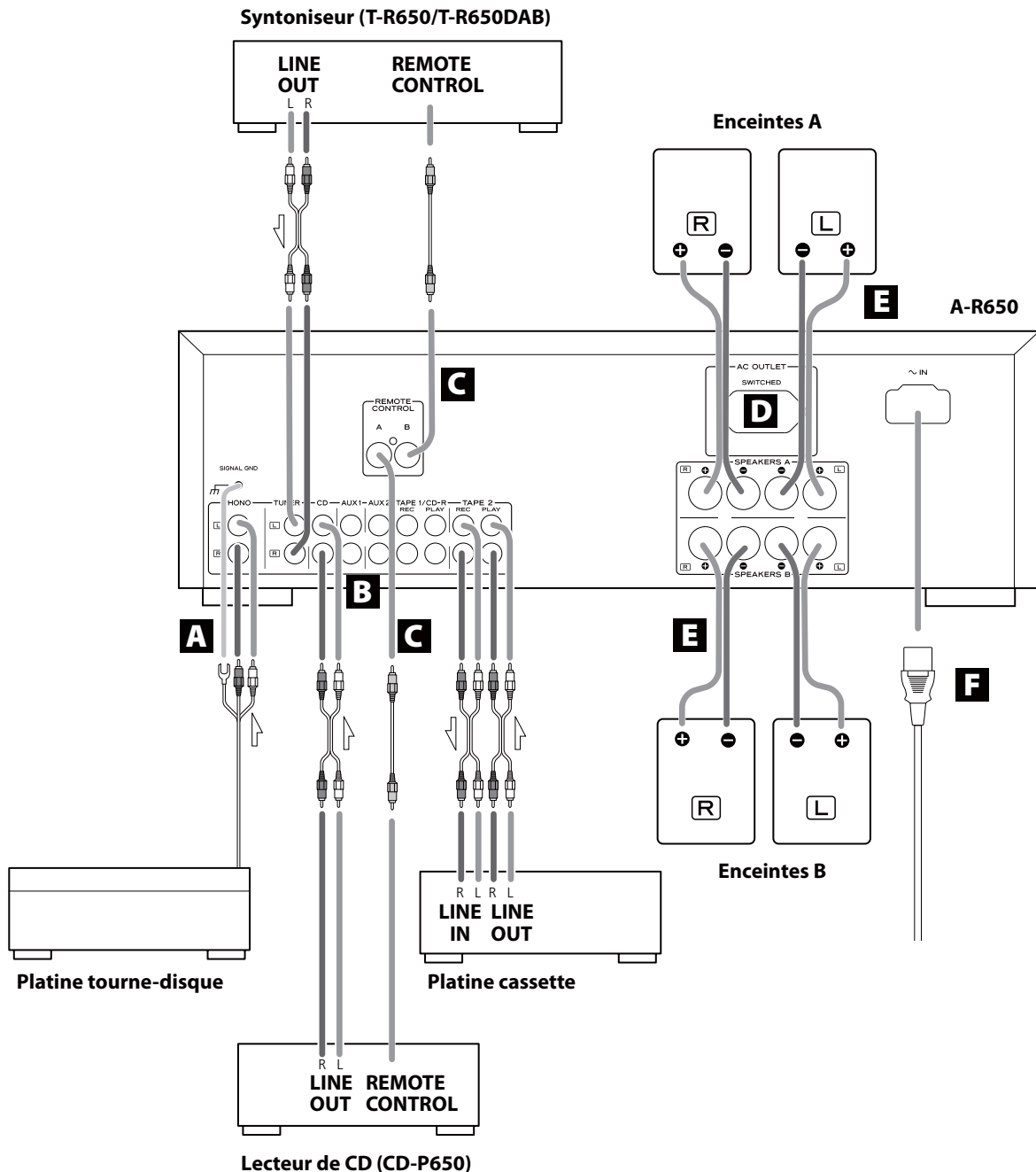
Entretien

Si la surface de l'appareil est sale, nettoyez-la avec un chiffon doux ou utilisez une solution de nettoyage neutre diluée. Veillez à ce qu'il ne reste pas de produit sur l'appareil. N'utilisez jamais de diluant, de benzène ou d'alcool, ceux-ci risquant d'endommager la surface de l'appareil.

Connexions

PRÉCAUTION:

- Coupez l'alimentation de tous les appareils avant d'effectuer les raccordements.
- Lisez les instructions qui accompagnent chaque appareil que vous avez l'intention d'utiliser en association avec cet appareil-ci.
- Veillez à ce que chaque fiche soit soigneusement insérée. Pour éviter les ronflements et les bruits parasites, évitez d'attacher les câbles de modulation de signal avec le cordon d'alimentation secteur ou les câbles de liaison aux enceintes.



- PHONO → Platine tourne-disque
 TUNER → Syntoniseur (T-R650/T-R650DAB)
 CD → Lecteur de CD (CD-P650)
 AUX 1/AUX 2 → Appareil audio
 TAPE1/CD-R → Platine cassette, MD, enregistreur de CD, etc.
 TAPE2 → Platine cassette, MD, etc.

A Prises PHONO/Borne SIGNAL GND (masse du signal)

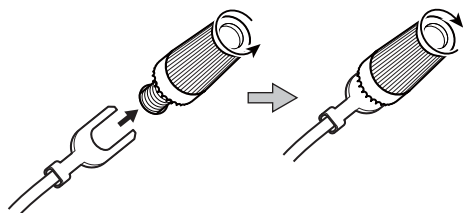
Branchez les cordons RCA de la platine tourne-disque aux prises PHONO.

Veillez à brancher :

la fiche blanche → la prise blanche (L : canal gauche)

la fiche rouge → la prise rouge (R : canal droit)

Branchez le fil de masse de la platine à la borne SIGNAL GND (masse du signal).



B Prises AUDIO IN/OUT

Un signal audio analogique 2 canaux d'entrée ou de sortie est disponible sur ces prises. Raccordez l'appareil avec des câbles RCA du commerce.

Veillez à brancher :

la fiche blanche → la prise blanche (L : canal gauche)

la fiche rouge → la prise rouge (R : canal droit)

C Prises REMOTE CONTROL

Si vous possédez le T-R650, T-R650DAB ou CD-P650 de TEAC, connectez la prise REMOTE CONTROL (A ou B) de chaque appareil avec le cordon de télécommande (fourni avec le T-R650, T-R650DAB ou CD-P650).

D Renvoi d'alimentation (commuté)

Cette sortie n'est active que lorsque l'appareil est sous tension.

Attention :

Assurez-vous que la puissance électrique totale de tous les équipements raccordés sur cette prise n'excède pas 100 W ou 500 mA.

E Raccordement des enceintes

Attention :

Pour éviter d'endommager les enceintes avec un signal brusque de niveau trop élevé, veillez à mettre l'appareil hors tension avant de raccorder les enceintes.

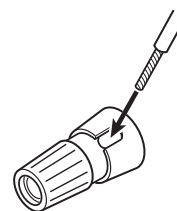
- Vérifiez l'impédance de vos enceintes. Branchez des enceintes ayant une impédance de 4 à 16 ohms si vous n'employez qu'une paire d'enceintes (SPEAKERS A ou SPEAKERS B). Si vous employez simultanément deux paires d'enceintes, leur impédance doit être de 8 à 16 ohms.
- Les borniers noirs des enceintes correspondent au \ominus (négatif). Généralement, le côté \oplus des câbles d'enceinte est marqué pour le distinguer du \ominus . Raccordez le côté ainsi marqué au bornier \oplus et le côté dépourvu de marque au bornier \ominus .

Attention :

Les parties métalliques de deux fils séparés ne doivent jamais se toucher pour éviter tout risque de court-circuit. Les fils en court-circuit peuvent provoquer un incendie ou détériorer sérieusement votre appareil.

Pour effectuer le raccordement Enceintes A, B

1. Tournez le capuchon du bornier dans le sens contraire des aiguilles d'une montre pour le desserrer. Le capuchon ne peut pas être séparé du bornier.
2. Introduisez le fil conducteur dans le bornier puis tournez le capuchon dans le sens des aiguilles d'une montre pour assurer son maintien.



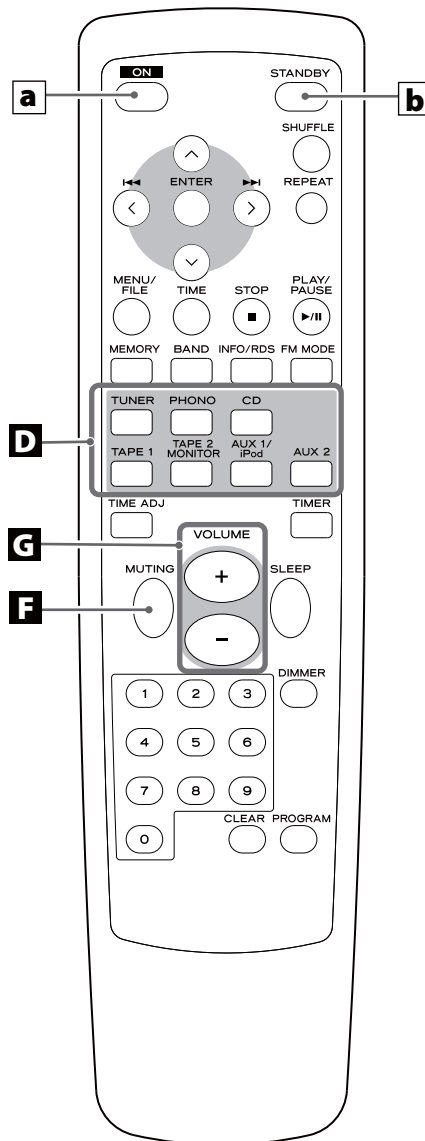
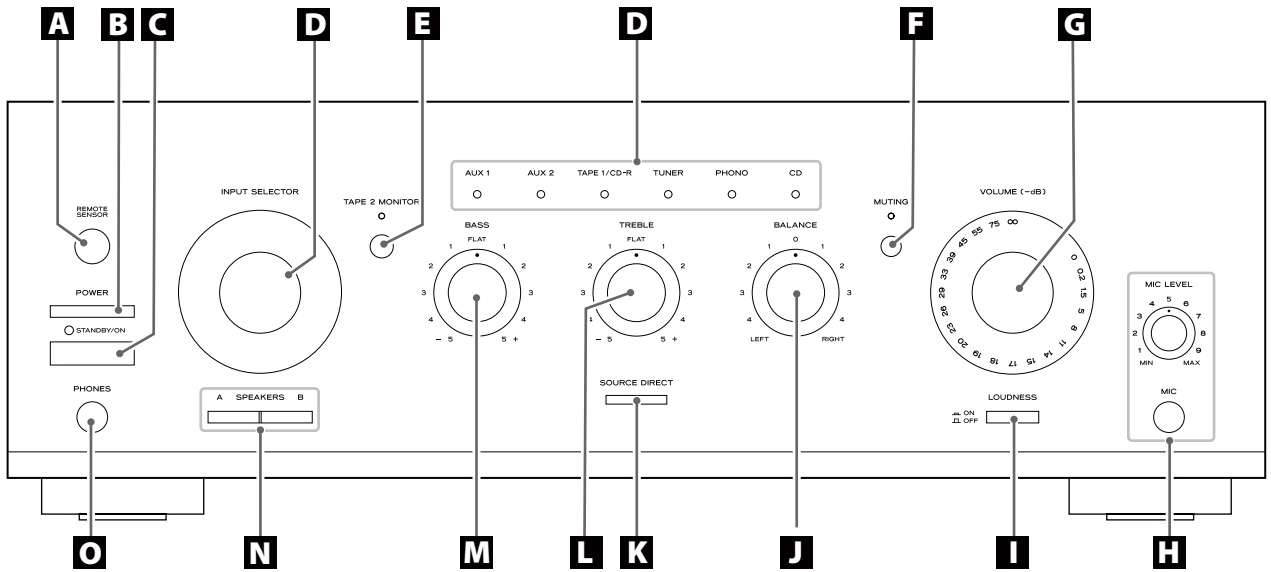
- Assurez-vous que le fil est bien fixé en place en tirant légèrement sur le cordon.
- Assurez-vous que seul la partie dénudée du fil est insérée dans le bornier et qu'aucun isolant n'empêche un bon contact entre le fil et le bornier.

F Entrée d'alimentation secteur

N'utilisez que le cordon d'alimentation fourni.

- L'emploi d'un autre cordon d'alimentation peut entraîner un incendie ou un choc électrique.
- Débranchez le cordon d'alimentation si l'unité doit rester inutilisée de façon prolongée.
- Veillez à brancher le cordon d'alimentation à une prise secteur fournissant la tension de courant correcte.
- Pour débrancher le cordon d'alimentation de la prise murale, tirez directement sur la prise, ne tirez jamais sur le cordon.

Noms des commandes



A Capteur de télécommande

Lorsque vous utilisez la télécommande, dirigez-la vers ce capteur.

B POWER

Appuyez sur cette touche pour mettre l'appareil en veille ou hors tension.

C STANDBY/ON

Lorsque l'interrupteur POWER de l'unité centrale est enfoncé, cette touche permet de mettre l'appareil sous tension ou en veille.

Le voyant de veille s'allume lorsque l'appareil est en veille. Lorsque l'appareil est hors tension, ce voyant est éteint.

D INPUT SELECTOR

Tournez ce bouton (ou appuyez sur les touches de la télécommande) pour sélectionner une source.

Un des voyants s'allume pour indiquer la source sélectionnée.

E TAPE 2 MONITOR

Quand une platine cassette est connectée aux prises TAPE 2, cette touche sert à activer ou désactiver la fonction d'écoute de contrôle de la bande.

Le voyant s'allume quand la fonction d'écoute de contrôle est activée.

F MUTING

Appuyez sur cette touche pour couper le son.

Le voyant MUTING clignote pendant la coupure du son.

G VOLUME

Tournez ce bouton (ou appuyez sur les touches VOLUME du boîtier de télécommande) pour régler le volume.

H Prise de microphone (MIC) et commande de niveau micro (MIC LEVEL)

Avec le microphone branché à cette prise, le son capté par le microphone sera entendu avec le son de la source sélectionnée par le sélecteur INPUT SELECTOR.

Tournez le bouton MIC LEVEL pour régler le niveau d'entrée du microphone.

I LOUDNESS

Cette touche permet de compenser la perte des graves quand le volume est faible.

J BALANCE

Utilisez ce bouton pour régler la balance des enceintes acoustiques.

Normalement, laissez le bouton en position centrale.

K SOURCE DIRECT

Appuyez sur cette touche pour activer ou désactiver la fonction de source directe.

Quand celle-ci est activée, le bouton s'allume et vous pouvez écouter le son sans correction de tonalité.

L TREBLE

Utilisez ce bouton pour ajuster le niveau des aigus.

M BASS

Utilisez ce bouton pour ajuster le niveau des graves.

N SPEAKERS

Utilisez ces touches pour mettre en ou hors service les enceintes (A ou B).

ON : le son est diffusé par les enceintes.

OFF: aucun son ne sort des enceintes.

O Prise PHONES

Pour l'écoute privée, introduisez la fiche du casque dans cette prise puis réglez le niveau au moyen du bouton VOLUME.

Télécommande

Quand vous pilotez le lecteur de CD (CD-P650) ou le tuner (T-R650/T-R650DAB) avec la télécommande, sélectionnez d'abord une source avec les touches de sélection d'entrée (cadre **D**) de la télécommande.

a ON

Lorsque l'interrupteur d'alimentation de l'appareil principal est enclenché, utilisez cette touche pour mettre l'appareil en marche.

b STANDBY

Lorsque l'interrupteur d'alimentation de l'appareil principal est enclenché, utilisez cette touche pour mettre l'appareil en veille.

Les autres touches servent à faire fonctionner les CD-P650, T-R650 et T-R650DAB de TEAC.

Remarque :

- Pour simplifier les explications, les instructions utilisent les noms des touches et commandes sur le panneau avant, sans mentionner l'utilisation de la télécommande.

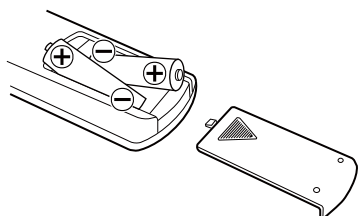
Boîtier de télécommande

Cet amplificateur et les éléments TEAC marqués d'un  en face avant répondent à la télécommande « UR » fournie.

Si vous utilisez la télécommande, pointez-la vers le capteur situé en face avant de l'amplificateur (ou autre élément TEAC).

- Même si le boîtier de télécommande est utilisé à distance de fonctionnement, la commande à distance peut être impossible s'il y a des obstacles entre le l'appareil et la télécommande.
- Si le boîtier de télécommande est utilisé près d'autres appareils générant des rayons infrarouges, ou si d'autres télécommandes utilisant des rayons infrarouges sont utilisées près de l'appareil, celui-ci peut ne pas bien fonctionner. Dans la situation inverse, les autres appareils peuvent ne pas bien fonctionner.

Mise en place des piles



1. Retirer le couvercle du compartiment des piles.
2. Introduire deux piles « AAA » (R03, UM-4). S'assurer que les piles sont correctement mises en respectant les polarités plus \oplus et moins \ominus .
3. Replacer le couvercle.

Remplacement des piles

Si vous remarquez qu'un fonctionnement correct nécessite de réduire la distance entre le boîtier de télécommande et l'appareil, c'est que les piles sont usées. Dans ce cas, remplacez les piles usagées par des neuves.

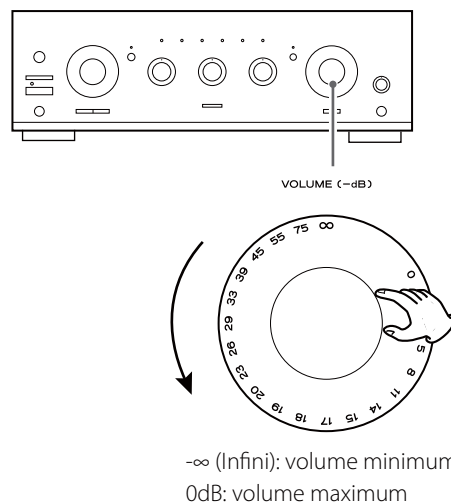
Pour plus d'informations sur la collecte des piles usagées, veuillez contacter votre mairie, votre service d'ordures ménagères ou le point de vente dans lequel vous avez acheté les articles.

Précautions à observer concernant les piles

- Placez bien les piles en respectant les polarités plus " \oplus " et moins " \ominus ".
- Utilisez des piles du même type. N'utilisez jamais des types de pile différents ensemble.
- Des piles ou des batteries rechargeables peuvent être utilisées. Référez-vous à leurs étiquettes pour les précautions à respecter.
- En cas de non utilisation prolongée de la télécommande (plus d'un mois), retirez ses piles pour éviter qu'elles ne coulent.
- Si les piles coulent, essuyez le liquide dans le compartiment des piles et remplacez les piles par des neuves.
- N'utilisez pas d'autres piles que celles spécifiées. Ne mélangez pas des piles neuves avec des anciennes et n'utilisez pas ensemble des types de pile différents.
- Ne chauffez pas et ne démontez pas les piles et ne les jetez jamais dans un feu ou dans de l'eau.
- Ne conservez et ne transportez pas les piles avec d'autres objets métalliques. Une pile pourrait entrer en court-circuit, couler ou exploser.
- Ne rechargez jamais une batterie sans avoir vérifié qu'elle peut l'être.

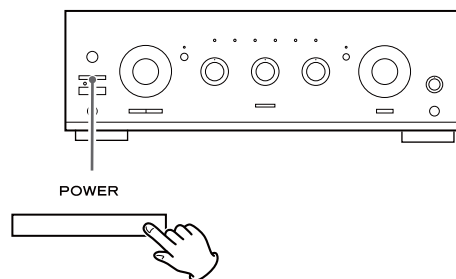
Fonctionnement de base 1

- 1 Afin de protéger les enceintes acoustiques d'un signal soudain très fort, tournez le bouton VOLUME en sens inverse des aiguilles d'une montre pour réduire le volume.**



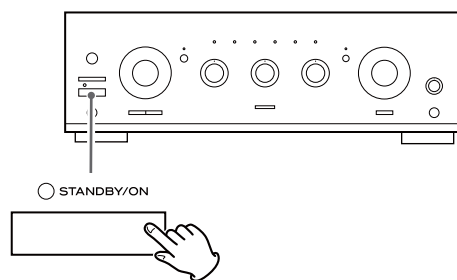
-∞ (Infini): volume minimum
0dB: volume maximum

- 2 Appuyez sur l'interrupteur POWER**



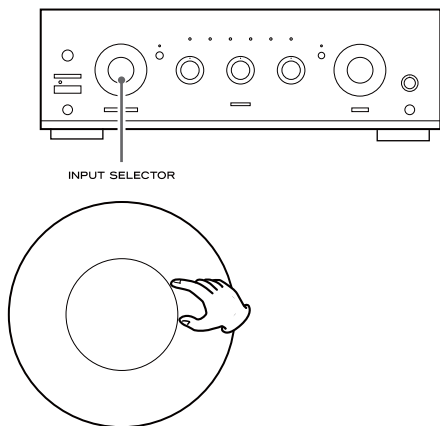
L'appareil passe en veille et le voyant STANDBY s'allume.

- 3 Appuyez sur la touche STANDBY/ON pour allumer l'appareil.**



Le voyant STANDBY s'éteint.

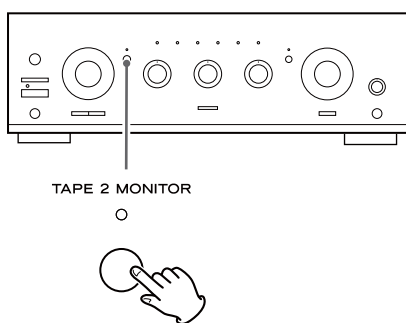
- 4** Sélectionnez une source en tournant le sélecteur d'entrée (INPUT SELECTOR) (ou en appuyant sur l'une des touches de sélection d'entrée de la télécommande).



Fonction Tape Monitor

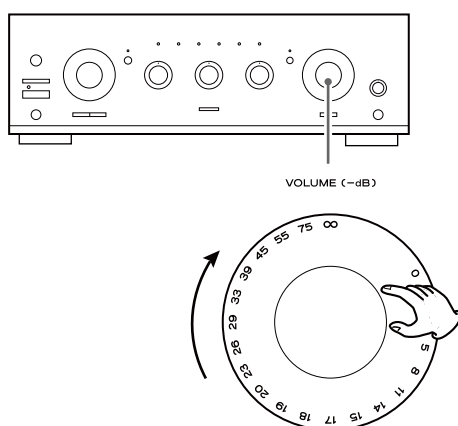
Si vous souhaitez sélectionner la source raccordée aux prises TAPE 2, appuyez sur la touche TAPE 2 MONITOR pour activer la fonction d'écoute de contrôle. Le voyant TAPE 2 MONITOR s'allume.

Pour désactiver la fonction d'écoute de contrôle Tape Monitor, appuyez de nouveau sur la touche TAPE 2 MONITOR.



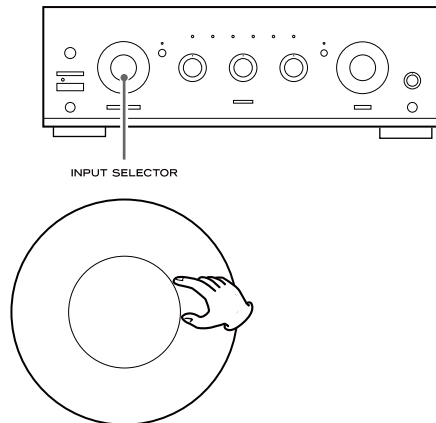
- Lorsque la fonction Tape Monitor est active, il n'est pas possible d'écouter une autre source que celle-ci. Veillez à désactiver cette fonction pour écouter d'autres sources.

- 5** Faites jouer la source et montez progressivement le volume jusqu'au niveau désiré à l'aide du bouton VOLUME.



Enregistrement

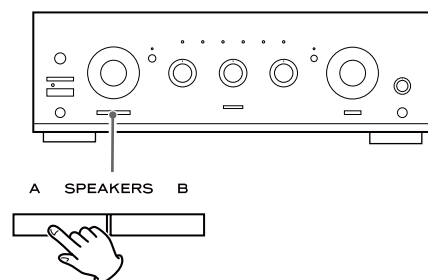
- 1.** Sélectionnez la source à enregistrer en tournant le sélecteur d'entrée (INPUT SELECTOR)



- 2.** Lancez l'enregistrement.

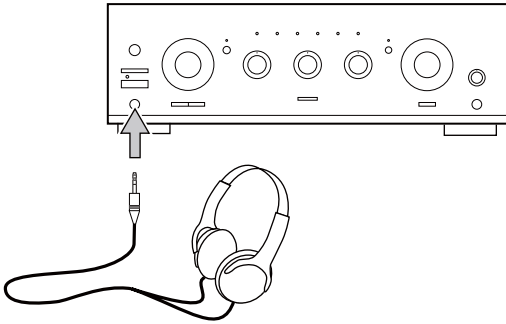
- Le volume et les commandes de tonalité n'ont aucun effet sur les signaux enregistrés.
- Si vous avez raccordé une platine cassette 3 têtes aux prises TAPE 2 (PLAY et REC), et si la fonction d'écoute de contrôle Tape Monitor est activée pendant l'enregistrement vous n'entendez pas le son de la source mais le son enregistré.

Sélection des enceintes



Appuyez sur la touche SPEAKERS (A ou B) pour mettre les enceintes en ou hors service.

Écoute avec un casque



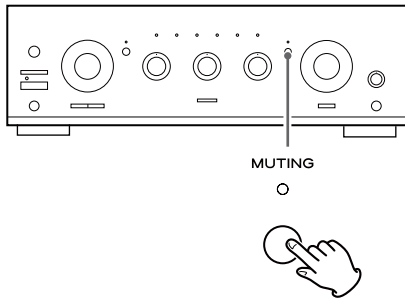
Pour une écoute privée, commencez par réduire au minimum le niveau de volume sur l'amplificateur. Insérez la fiche jack du casque dans la prise PHONES et réglez le volume à l'aide du bouton VOLUME.

Pour couper le son provenant des enceintes, appuyez sur la touche SPEAKERS pour les mettre hors service.

Attention :

Baissez toujours le niveau du volume avant de brancher le casque d'écoute. **POUR ÉVITER D'ENDOMMAGER VOTRE AUDITION** – Ne mettez pas votre casque d'écoute sur la tête tant que vous ne l'avez pas branché.

Coupure du son (Muting)

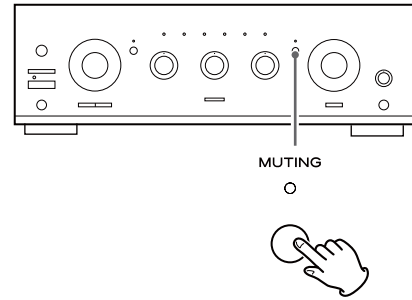


Pour couper momentanément le son, appuyez sur la touche MUTING.

Appuyez une nouvelle fois sur la touche MUTING pour rétablir le son.

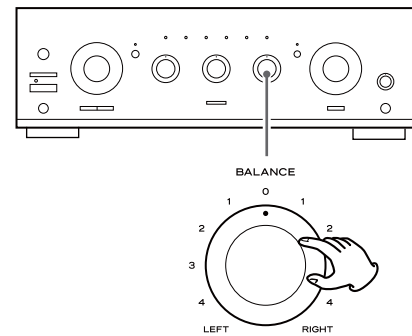
- Tant que le son est coupé, le voyant MUTING clignote.

Touche LOUDNESS



Cette touche permet de compenser la perte des graves quand le volume est faible. Réglez la touche sur la position OFF pour une écoute à niveau normal.

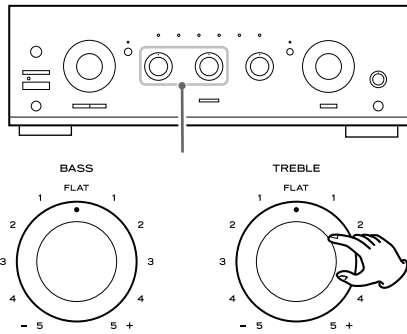
Comment régler la balance entre les enceintes gauche et droite



Tournez le bouton BALANCE pour régler la balance des enceintes acoustiques.

Normalement, laissez le bouton en position centrale.

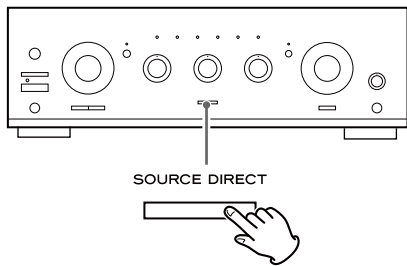
Commandes de tonalité



Tournez le bouton BASS pour régler le niveau des graves.

Tournez le bouton TREBLE pour régler le niveau des aigus.

Source Direct



Appuyez sur cette touche pour activer ou désactiver la fonction de source directe.

Quand elle est activée, la touche s'allume et vous pouvez écouter le son sans correction de tonalité.

En cas de problème avec l'appareil, prenez le temps de lire ce tableau et de voir si vous pouvez résoudre le problème tout seul avant de faire appel à votre revendeur ou au service après-vente TEAC.

L'appareil ne s'allume pas

- ➔ Vérifiez que l'appareil est bien branché à la prise secteur. Vérifiez que la prise d'alimentation secteur n'a pas d'interrupteur et si tel est le cas, vérifiez que l'interrupteur est bien enclenché. Vérifiez que la prise délivre bien du courant en branchant un autre appareil électrique, une lampe ou un ventilateur par exemple.

Aucun son ne sort des enceintes.

- ➔ Réglez le volume.
- ➔ Réglez la commande BALANCE en position « 0 ».
- ➔ Vérifiez que les enceintes sont bien connectées.
- ➔ Si vos enceintes sont connectées aux prises SPEAKERS A (ou B), veillez à ce que ce soit la touche SPEAKERS A (ou B) de la façade qui soit enfoncée.
- ➔ Si la fonction d'écoute de contrôle TAPE 2 MONITOR est activée, appuyez sur la touche TAPE 2 MONITOR pour la désactiver.

Le volume des enceintes A est différent de celui des enceintes B.

- ➔ Le volume et la qualité sonore peuvent varier avec les enceintes, leurs dimensions etc. Si vous voulez utiliser les enceintes A et B simultanément au même volume, connectez exactement les mêmes types d'enceintes aux prises SPEAKERS A et B.

Le son souffre de parasites ou d'un ronflement.

- ➔ L'appareil est placé trop près d'un poste de télévision ou d'un appareil du même type. Éloignez ces deux appareils ou éteignez-en un pour faire cesser les interférences.
- ➔ Branchez le fil de masse de la platine tourne-disque à la borne SIGNAL GND (masse du signal).

Le son est interrompu en cours d'écoute ou aucun son ne sort alors que l'appareil est allumé.

- ➔ L'impédance des enceintes est inférieure à celle préconisée pour cet appareil.
- ➔ Éteignez l'appareil et baissez le volume.

Faible réponse en graves.

- ➔ La polarité (⊕/⊖) des enceintes est inversée. Vérifier la polarité de chacune des enceintes.

Le boîtier de télécommande ne fonctionne pas.

- ➔ Appuyez sur l'interrupteur d'alimentation (POWER) de l'unité principale pour allumer l'appareil.
- ➔ Si les piles sont usagées, changez-les.
- ➔ Utilisez le boîtier de télécommande à portée de fonctionnement (5 m) et dirigez-le vers la face avant de l'appareil.
- ➔ Retirez les obstacles qui peuvent se trouver entre le boîtier de télécommande et l'appareil.
- ➔ Si une lumière violente éclaire l'appareil, éteignez-la.

Si malgré ces indications, vous ne parvenez pas à faire fonctionner normalement l'appareil, débranchez le cordon d'alimentation du secteur et rebranchez-le.

Caractéristiques techniques

Section amplificateur

Puissance de sortie continue	RMS : 120 W + 120 W (1 kHz, 4 Ω, 0,5%) 90 W + 90 W (1 kHz, 8 Ω, 0,5%)
Distorsion harmonique totale	0,02% (1 kHz, 8 Ω, 60 W)
Sensibilité/impédance d'entrée	PHONO : 2,8 mV/47 kΩ LINE* : 180 mV/47 kΩ
Rapport signal/bruit (IHF-A)	PHONO : 65 dB LINE* : 90 dB
Niveau/impédance de sortie	TAPE : 150 mV/3,3 kΩ
Réponse en fréquence	PHONO : 20 à 20 000 Hz, ±1 dB (RIAA) LINE* : 5 à 80 000 Hz, (SOURCE DIRECT, 1 W)
Commandes de tonalité	Graves : ±10 dB (100 Hz) Aigus : ±10 dB (10 kHz)
Coupure du son (Muting)	-20 dB

Généralités

Alimentation	CA 230 V, 50 Hz
Consommation électrique	300 W
En veille (Standby)	0,5 W
Dimensions (L x H x P)	435 x 142 x 355 mm
Poids (net)	9,2 kg

Accessoires standard

Boîtier de télécommande (UR-431) x 1
Piles (AAA, R03, UM-4) x 2
Mode d'emploi x 1
Carte de garantie x 1
Cordon d'alimentation x 1

* LINE correspond aux entrées de niveau ligne TUNER, CD, AUX1, AUX2, TAPE1/CD-R, TAPE2.

- Les caractéristiques et la présentation sont sujettes à modification sans préavis.
- Les illustrations peuvent légèrement différer des modèles de production.

Pour les consommateurs européens

Information pour les utilisateurs sur la collecte et l'enlèvement des équipements et piles usagés

Ces symboles sur les produits, emballages et/ou documents d'accompagnement signifient que les produits électriques et électroniques ainsi que les piles usagées ne doivent pas être mélangés avec les déchets domestiques ordinaires. Pour un traitement, une récupération et un recyclage corrects des produits anciens et des piles usagées, veuillez les rapporter au point de collecte concerné, conformément à votre législation nationale et aux directives 2002/96/EC et 2006/66/EC.

En jetant correctement ces produits et piles, vous aiderez à sauvegarder des ressources précieuses et éviterez tout effet potentiellement négatif sur la santé humaine et sur l'environnement qui pourrait sinon découler d'une gestion inappropriée des déchets.

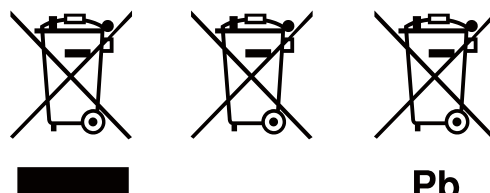
Pour des informations plus détaillées sur la mise au rebut et le recyclage de vos anciens appareils et piles, veuillez contacter votre mairie, le service de traitement des ordures ou le magasin dans lequel vous avez acheté ces articles.

Information sur la mise au rebut dans les pays extérieurs à l'Union Européenne

Ces symboles ne sont valables qu'en Union Européenne. Si vous désirez jeter ces articles, veuillez contacter votre administration locale ou votre revendeur et leur demander la méthode correcte de mise au rebut.

Note pour le symbole (les deux exemples en bas à droite) :

Ce symbole peut être associé à un symbole chimique. Dans ce cas, il indique une conformité avec les impératifs définis par la directive pour le produit chimique en question.



Enhorabuena por la adquisición de un TEAC. Lea detenidamente este manual a fin de obtener el mejor rendimiento de esta unidad.

Antes de comenzar	23
Conexión	24
Nombres de los controles	26
Mando a distancia	28
Funcionamiento básico	28
Solución de problemas	31
Especificaciones	32

PRECAUCIÓN

- No exponga este aparato a salpicaduras ni goteras.
- No coloque sobre este aparato objetos que contengan líquidos, como por ejemplo vasos.
- No instale este aparato en espacios cerrados como estanterías o similares.
- Este aparato libera corriente nominal no válida para el funcionamiento a través de su conector de alimentación aunque los interruptores POWER o STANDBY/ON estén apagados.
- El aparato deberá colocarse lo suficientemente cerca de una toma de corriente, de modo que usted puede alcanzar fácilmente la clavija del enchufe del cable de alimentación en cualquier momento.
- La clavija del enchufe del cable de alimentación (de corriente) es el dispositivo de desconexión, por lo cual deberá permanecer siempre en buen estado de funcionamiento.
- < Si el producto utiliza pilas (esto incluye las baterías incorporadas y los "packs" de pilas), se evitará su exposición directa al sol, al fuego o a cualquier otra fuente de calor excesivo.
- < PRECAUCIÓN con los productos que emplean baterías de litio reemplazables: existe peligro de explosión si la batería se reemplaza por otra de tipo incorrecto. Reemplácela sólo por otra igual o de tipo equivalente.
- Lleve cuidado si utiliza auriculares con este producto, ya que excesiva presión sonora (volumen) en los auriculares puede causar pérdida auditiva.

Léase antes de continuar

- Dado que la unidad puede calentarse durante el funcionamiento, deje siempre espacio suficiente alrededor de la unidad para su ventilación.
- El voltaje de corriente suministrado a la unidad debe ser el mismo que el que figura impreso en el panel posterior. Si tiene alguna duda sobre esto, consulte a un electricista.
- Elija el emplazamiento de esta unidad cuidadosamente. Evite ponerla en exposición directa a la luz del sol o cerca de una fuente de calor. Evite también emplazamientos sujetos a vibraciones y polvo, calor, frío o humedad excesivos.
- No coloque la unidad encima de un amplificador/receptor.
- No abra la carcasa ya que podría ocasionar daños en los circuitos o descargas eléctricas. Si se introdujese cualquier objeto en la unidad, contacte con el distribuidor o el servicio técnico.
- Al desenchufar el cable de alimentación de la toma de corriente, tire siempre directamente de la clavija, nunca del propio cable.
- No limpie la unidad con disolventes químicos porque dañan el acabado. Use un paño limpio seco o ligeramente humedecido.
- Conserve este manual en un lugar seguro para futuras consultas.
- En este manual, las ilustraciones operativas se basan en el modelo para Europa.

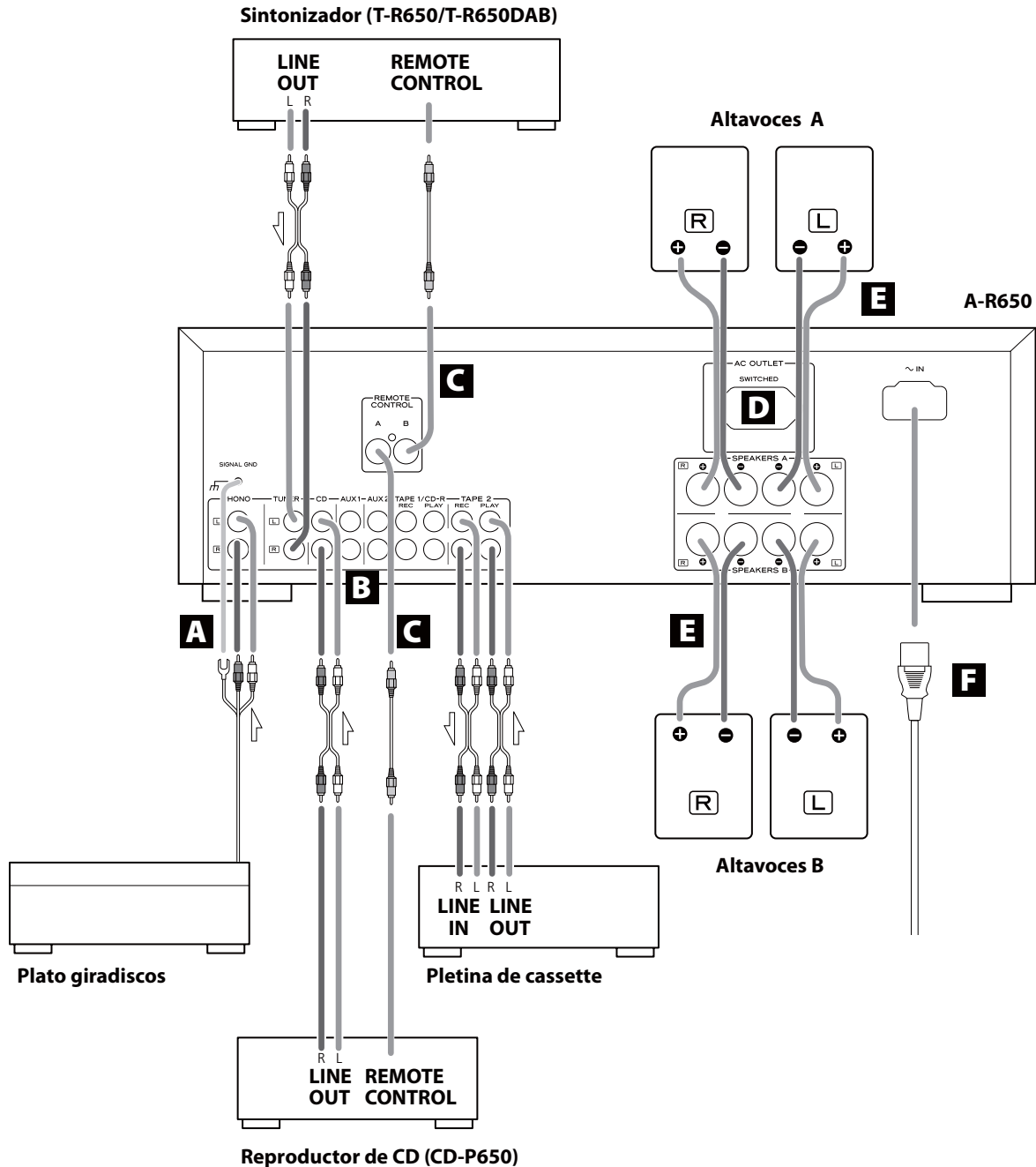
Mantenimiento

Si se ensucia la superficie del equipo, pase un paño suave o utilice jabón líquido normal diluido. Limpie cualquier resto que pueda quedar en la unidad. No utilice aguarrás, bencina ni alcohol, ya que podría dañar el acabado de la unidad.

Conexión

PRECAUCIÓN:

- Apague todos los equipos antes de realizar las conexiones.
- Lea las instrucciones de cada equipo que pretenda utilizar con esta unidad.
- Asegúrese de insertar firmemente cada enchufe. Para evitar zumbidos y ruidos, evite poner los cables de conexión de señal agrupados con el cable de alimentación o cables de altavoz.



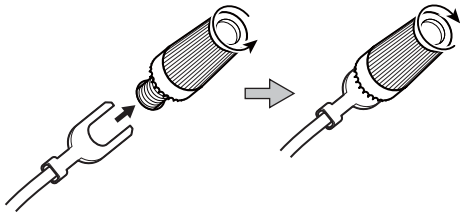
- PHONO → Plato giradiscos
 TUNER → Sintonizador (T-R650/T-R650DAB)
 CD → Reproductor de CD (CD-P650)
 DVR/VCR → Grabadora de cinta de vídeo, etc.
 AUX1/AUX2 → Componentes de audio
 TAPE1/CD-R → Pletina de cassette, Grabadora de CD, etc.
 TAPE2 → Pletina de cassette, Grabadora de CD, etc.

A Conectores PHONO/Terminal SIGNAL GND (TIERRA DE SEÑAL)

Conecte los cables con clavijas RCA del plato giradiscos a los conectores PHONO. Asegúrese de conectar:

- Clavija blanca → Conector blanco (L: canal izquierdo)
- Clavija roja → Conector rojo (R: canal derecho)

Conecte el cable de tierra del plato giradiscos al terminal SIGNAL GND.



B Conectores AUDIO IN/OUT

La señal de audio analógico de 2 canales se envía y recibe a través de estos terminales. Utilice cables RCA (de venta en comercios) para conectar el componente.

Asegúrese de conectar:

- Clavija blanca → Conector blanco (L: canal izquierdo)
- Clavija roja → Conector rojo (R: canal derecho)

C Conectores REMOTE CONTROL

Si tiene un componente T-R650, TR-650DAB o CD-P650 de TEAC, conecte la toma REMOTE CONTROL (A o B) de cada componente mediante el cable de control remoto (suministrado con el T-R650, TR-650DAB o CD-P650).

D Toma de alimentación (conectada)

Esta toma sólo permanece activa cuando la unidad está encendida.

Precaución:

Compruebe que el consumo total de los equipos conectados a la toma de red no sobrepasa los 100 vatios o 500 mA.

E Conexiones de los altavoces

Precaución:

Para evitar posibles daños en los altavoces por una señal repentina de alto nivel, apague la unidad antes de conectarlos.

- Compruebe la impedancia de los altavoces. Conecte altavoces entre 4 y 16 ohmios de impedancia cuando use sólo un par de altavoces (Altavoces A o Altavoces B). Cuando use dos pares de altavoces a la vez su impedancia debe ser entre 8 y 16 ohmios.
- Los terminales de altavoz negro son el negativo \ominus . Por lo general, el lado positivo \oplus del cable de altavoz está identificado (franja, color...) para distinguirlo del lado negativo. Conecte el extremo positivo al terminal \oplus y el negativo al terminal negro \ominus .

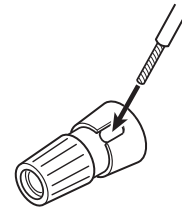
Precaución:

Las partes metálicas de los dos cables no deberán tocarse, ya que se podría producir un cortocircuito. Los hilos cortocircuitados pueden ocasionar riesgo de incendio o fallos en el equipo.

Conexiones

Altavoces A, B

1. Gire el casquillo del terminal hacia la izquierda para aflojarlo. Los casquillos de los terminales de altavoz no se pueden desprender por completo de la base.
2. Inserte el hilo a fondo en el terminal y gire el casquillo hacia la derecha para dejarlo debidamente conectado.



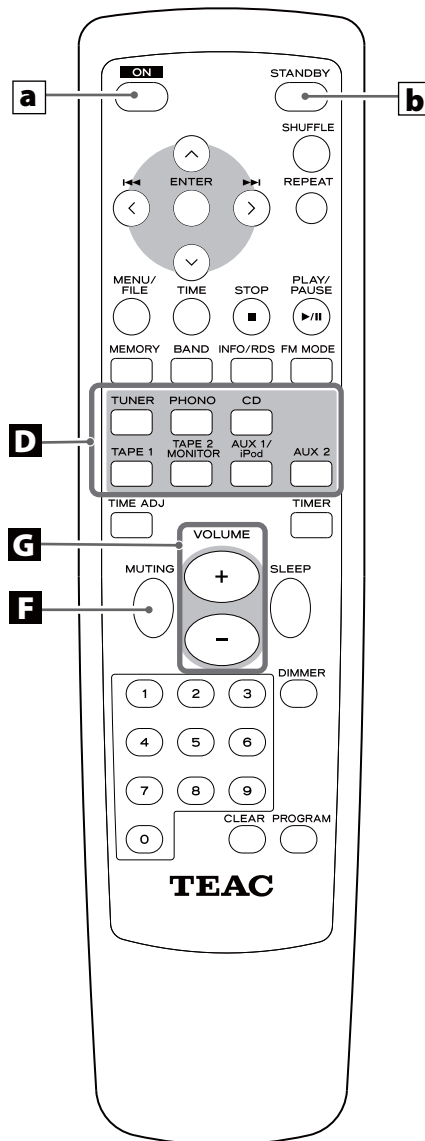
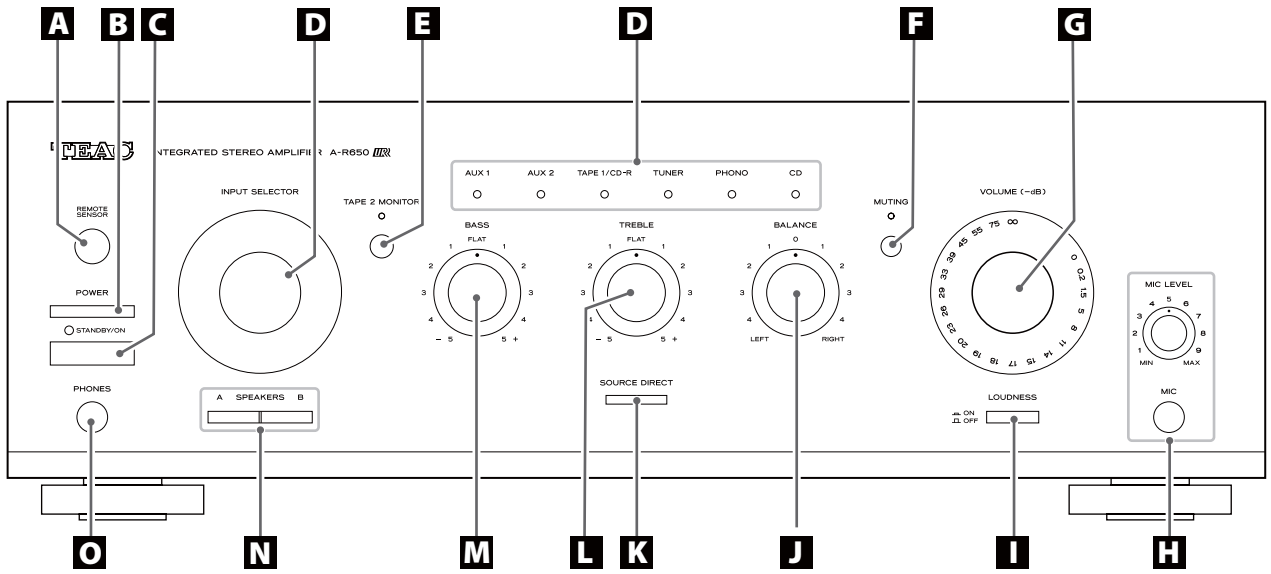
- Asegúrese de que bajo el terminal no queda nada del recubrimiento aislante del cable, solamente los hilos pelados.
- Asegúrese de que el cable está firmemente sujeto tirando de él ligeramente.

F Receptáculo de entrada de corriente

Utilice solamente el cable de alimentación (corriente) suministrado.

- El uso de otro cable de alimentación puede provocar riesgo de incendio o de descarga eléctrica.
- Desenchufe el cable de alimentación cuando no vaya a usarlo durante un largo periodo de tiempo.
- Asegúrese de conectar el cable de alimentación a una toma de red que suministre la tensión adecuada.
- Sostenga siempre el cable de alimentación por el conector. No tire nunca del propio cable de alimentación.

Nombres de los controles



A Sensor remoto

Cuando utilice el mando a distancia, apunte con él hacia el sensor remoto.

B POWER

Pulse este interruptor para encender o apagar la unidad.

C STANDBY/ON

Con el interruptor POWER de la unidad principal pulsado, utilice este botón para encender y apagar el equipo.

El indicador de reposo se ilumina cuando la unidad se encuentra en el modo de espera. El indicador luminoso se apagará cuando encienda la unidad.

D INPUT SELECTOR

Use este mando (o los botones del mando a distancia) para seleccionar una fuente de sonido.

Uno de los indicadores se ilumina mostrando la fuente seleccionada.

E TAPE 2 MONITOR

Si desea seleccionar la fuente conectada a los terminales TAPE 2, pulse el botón TAPE 2 MONITOR para activar la función de monitorización de cinta. El indicador se iluminará.

Pulse el botón TAPE 2 MONITOR para cancelar esta función.

F MUTING

Utilice este botón para silenciar el sonido.

Mientras el silenciamiento está activado, el indicador MUTING parpadea.

G VOLUME

Gire este mando (o utilice los botones VOLUME del mando a distancia) para regular el volumen.

H Conector MIC y control giratorio MIC LEVEL

Con el micrófono enchufado en este conector MIC, el sonido captado por el mismo se escucha junto con el sonido de la fuente seleccionada con el selector de fuente (INPUT SELECTOR). Ajuste el nivel de entrada del micrófono girando el control MIC LEVEL.

I LOUDNESS

Este botón compensa la pérdida de graves a volúmenes bajos.

J BALANCE

Use este mando para ajustar el balance entre los altavoces. Normalmente deberá encontrarse en la posición central.

K SOURCE DIRECT

Pulse este botón para activar o desactivar la función "source direct" (fuente directa).

Cuando la función "source direct" esté activada, el botón se ilumina y puede oír el sonido sin los efectos de los cambios agudos y graves.

L TREBLE

Use este mando para ajustar las altas frecuencias (agudos).

M BASS

Use este mando para ajustar las bajas frecuencias (graves).

N Botones SPEAKERS

Use estos botones para activar o desactivar los altavoces.

"on": el sonido sale por los altavoces

"off": se corta el sonido de los altavoces

O Conector PHONES

Para una escucha privada, inserte el conector de los auriculares a esta toma y ajuste el volumen girando el control VOLUME.

Mando a distancia

Cuando utilice el reproductor de CD (CD-P650) o el sintonizador (T-R650/T-R650DAB) con el mando a distancia, seleccione una fuente primero usando los botones de selección de entrada (apartado marcado como **D**) del mando a distancia.

a ON

Con el interruptor POWER de la unidad principal pulsado, utilice este botón para encender el equipo.

b STANDBY

Con el interruptor POWER de la unidad principal pulsado, utilice este botón para apagar el equipo poniéndolo en reposo.

Los demás botones se utilizan para el manejo de los componentes CD-P650, T-R650 y T-R650DAB de TEAC.

Nota:

Para simplificar, las instrucciones se refieren a los nombres de botones y controles del panel frontal solamente. Los controles asociados del mando a distancia también funcionarán de manera similar.

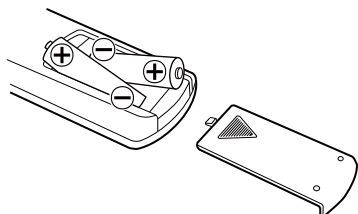
Mando a distancia

El amplificador y otros componentes TEAC con la marca **IR** en el panel frontal pueden ser controlados desde el mando a distancia universal "UR" suministrado con el equipo.

Cuando use el mando a distancia apunte hacia el SENSOR REMOTO en el panel frontal del amplificador (o de otro componente TEAC)

- Aunque se utilice la unidad dentro del margen de funcionamiento efectivo, es imposible el control a distancia si hay obstáculos entre el reproductor y el mando a distancia.
- Si se utiliza la unidad cerca de otros aparatos que generen rayos infrarrojos o si se emplean otros mandos a distancia por rayos infrarrojos cerca del reproductor, es posible que éste no funcione correctamente. Del mismo modo, es posible que los otros aparatos tampoco funcionen correctamente.

Instalación de las pilas



1. Abra la tapa del compartimento de las pilas.
2. Inserte dos pilas "AAA" (R03, UM-4).
Asegúrese de que las pilas queden ubicadas con sus polos positivo \oplus y negativo \ominus correctamente posicionados.
3. Cierre la tapa hasta que quede perfectamente encajada.

Cambio de pilas

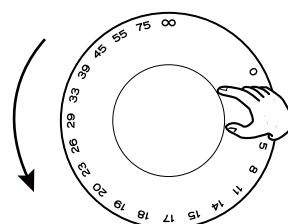
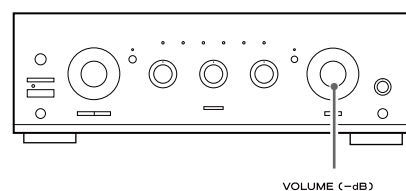
Si observa que ha disminuido la distancia necesaria para que el mando a distancia funcione correctamente, eso querrá decir que las pilas están gastadas. En ese caso, sustitúyalas por unas nuevas. Para más información acerca de cómo deshacerse de las pilas, póngase en contacto con la empresa de recogida/reciclaje de residuos de su ciudad o con el comercio en el que las adquirió.

Precauciones con las pilas

- Asegúrese de insertar las pilas con sus polaridades positiva " \oplus " y negativa " \ominus " correctamente.
- Utilice pilas del mismo tipo. Nunca utilice diferentes tipos de pilas juntas.
- Puede utilizar tanto pilas recargables como no recargables. Consulte las precauciones en sus etiquetas.
- Cuando no vaya a utilizar este mando a distancia durante un periodo largo (más de un mes), extraiga las pilas del mando para evitar posibles fugas.
- Si se produce una fuga del electrolito, limpie el interior del compartimento y sustituya las pilas por otras nuevas.
- No utilice ninguna otra pila diferente a las indicadas. No mezcle pilas nuevas con otras viejas ni utilice distintos tipos de pilas juntas.
- No caliente ni desmonte las pilas y nunca las arroje al agua o al fuego.
- No transporte ni guarde pilas con otros objetos metálicos. Podrían producirse cortocircuitos, fugas o explosiones.
- Nunca recargue una pila no recargable.

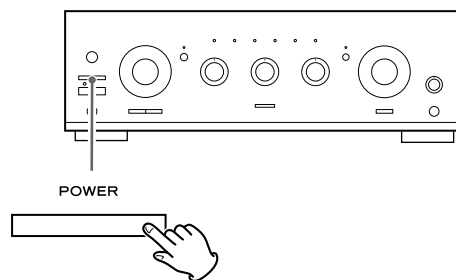
Funcionamiento básico 1

- 1 Para proteger los altavoces frente a las señales repentinas de alto nivel, gire el mando VOLUME hacia la izquierda para reducir el volumen al mínimo.**



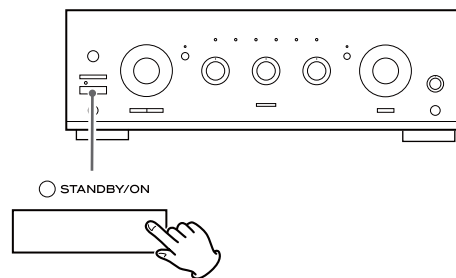
-∞ (Infini): (infinito): volumen mínimo
0dB: volumen máximo

- 2 Pulse el interruptor POWER.**



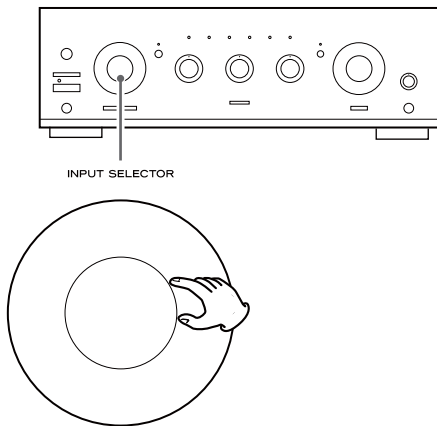
La unidad entrará en el modo de reposo o "standby", y se iluminará el indicador de modo de reposo.

- 3 Pulse el interruptor STANDBY/ON para encender la unidad.**



El indicador de modo de reposo (standby) se apagará.

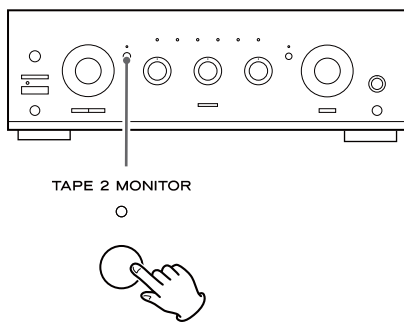
- 4** Seleccione una fuente girando el mando INPUT SELECTOR (o pulsando uno de los botones del mando a distancia).



Función de monitorización de cinta (Tape Monitor)

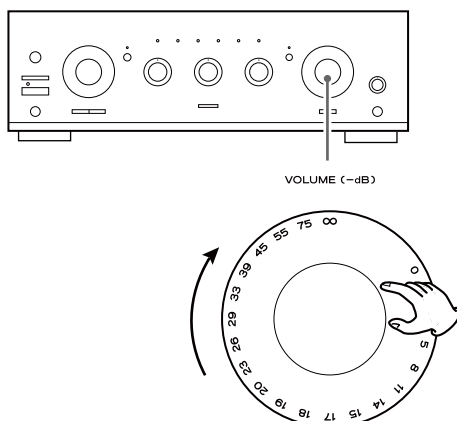
Si desea seleccionar la fuente conectada a los terminales TAPE 2, pulse el botón TAPE 2 MONITOR para activar la función de monitorización de cinta. El indicador "TAPE 2 MONITOR" se iluminará.

Pulse el botón TAPE 2 MONITOR para cancelar esta función.



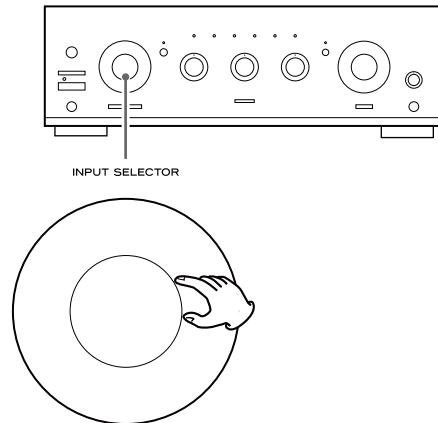
- Si la función de monitorización está activada, no podrá oír otras fuentes que no sean TAPE 2. Para oír otras fuentes, asegúrese de que esta función esté desactivada.

- 5** Ponga en marcha el equipo fuente, y eleve gradualmente el volumen hasta el nivel deseado con el mando VOLUME.



Grabación

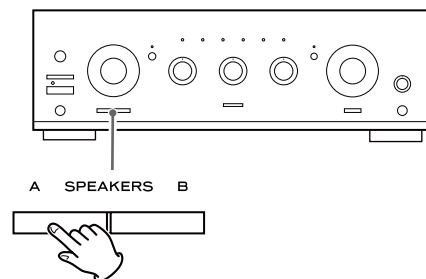
- 1** Seleccione con INPUT SELECTOR la fuente que desee grabar.



- 2** Inicie la grabación.

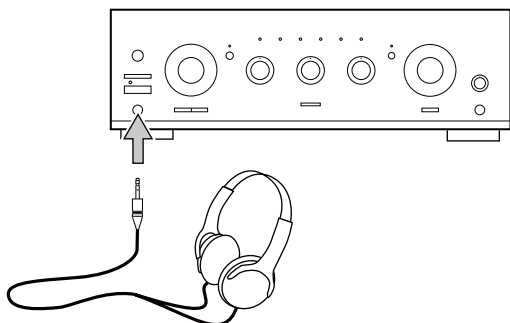
- El control de volumen y tono no afecta a las señales de grabación.
- Si hay una pletina de cinta de 3 cabezales conectada a los terminales TAPE 2 (PLAY y REC) y activa la función de monitorización durante la reproducción, no podrá oír el sonido procedente de la fuente, sino el sonido que está grabando.

Activación/desactivación de altavoces



Pulse el botón SPEAKERS (A o B) para activar o desactivar los altavoces.

Escucha a través de auriculares



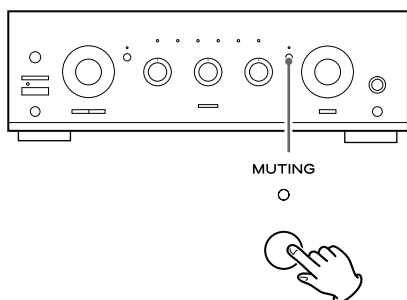
Para escuchar en privado, reduzca primero el nivel del volumen del amplificador al mínimo. A continuación inserte el conector de los auriculares en la toma PHONES y ajuste el volumen con el mando VOLUME.

Si desea interrumpir el sonido de los altavoces, pulse el botón SPEAKERS para desactivarlos.

PRECAUCIÓN

Reduzca previamente el volumen siempre que conecte los auriculares. PARA NO DAÑAR LOS OÍDOS: póngase los auriculares después de conectarlos.

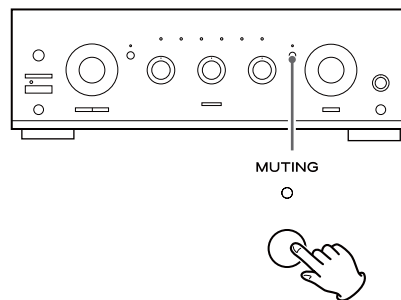
Silenciamiento



Para silenciar temporalmente el sonido, pulse el botón MUTING. Pulse nuevamente el botón MUTING para restaurar el sonido.

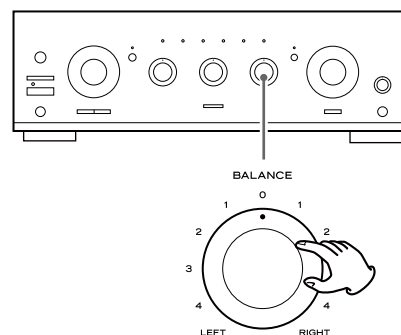
- Mientras el silenciamiento está activado, el indicador MUTING parpadea.

Botón LOUDNESS



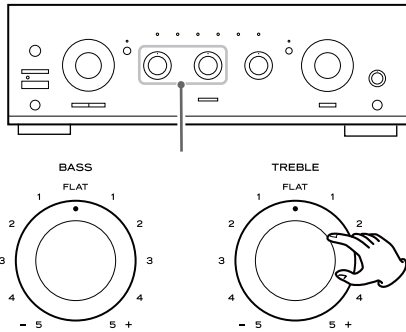
Este botón compensa la pérdida de graves a volúmenes bajos. Ponga este botón en la posición OFF (apagado) cuando se escuche a niveles normales.

Cómo ajustar el balance de los altavoces frontales



Use el mando BALANCE para ajustar el balance entre los altavoces. Normalmente deberá encontrarse en la posición central.

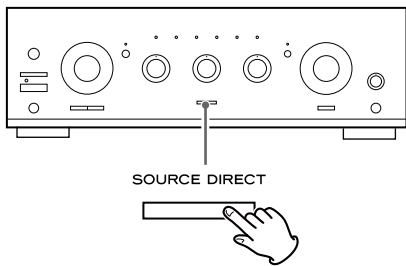
Control de tono



Use el mando BASS para ajustar el nivel de las bajas frecuencias (graves).

Use el mando TREBLE para ajustar el nivel de las altas frecuencias (agudos).

Fuente directa



Pulse este botón para activar o desactivar la función "source direct" (fuente directa).

Cuando la función "source direct" está activada, el botón se ilumina y puede oír el sonido sin los efectos de cambios de tono.

Si surge algún problema con la unidad, dedique unos instantes a revisar los siguientes puntos por si puede solucionar el problema sin necesidad de acudir al distribuidor o centro de servicio técnico TEAC.

No hay corriente.

- ➔ Compruebe la conexión a la red. Compruebe que la fuente de electricidad no es una toma con interruptor y que, si lo es, el interruptor no está activado. Compruebe que hay corriente en la toma eléctrica conectando otro aparato como una lámpara o un ventilador.

No hay sonido en los altavoces.

- ➔ Ajuste el volumen.
- ➔ Ajuste el control de BALANCE en la posición "0".
- ➔ Verifique la conexión a los altavoces.
- ➔ Si los altavoces están conectados a los terminales SPEAKERS A (o B), compruebe que está presionado el botón SPEAKERS A (o B) del panel frontal.
- ➔ Si está activada la función de monitorización de cinta, pulse el botón TAPE 2 MONITOR para desactivarla.

El volumen de SPEAKERS A no es el mismo que el de SPEAKERS B.

- ➔ El volumen y la calidad de sonido puede diferir en función del tamaño del altavoz y de otros factores. Si desea usar SPEAKERS A y B simultáneamente y al mismo volumen, conecte exactamente el mismo tipo de altavoces a los terminales SPEAKERS A y B.

El sonido es ruidoso o se oyen zumbidos.

- ➔ La unidad está demasiado cerca de la TV o aparatos similares. Instale la unidad lejos de ellas o apáguelos.
- ➔ Conecte el cable de tierra del plato giradiscos al terminal SIGNAL GND (TIERRA DE SEÑAL).

El sonido se corta mientras escucha música o incluso no hay sonido aunque la unidad esté encendida (ON).

- ➔ La impedancia de los altavoces es menor a la prescrita para esta unidad.
- ➔ Apague la unidad y baje el volumen.

Respuesta de graves pobre.

- ➔ La polaridad de los altavoces (\oplus/\ominus) está invertida. Verifique que la polaridad sea la correcta en todos los altavoces.

El mando a distancia no funciona.

- ➔ Pulse el interruptor POWER de la unidad principal para dejarla en modo de espera en reposo (standby).
- ➔ Si las pilas están agotadas, cámbielas por otras nuevas.
- ➔ Utilice el mando a distancia dentro del radio de acción (5 m) y apunte hacia el panel frontal.
- ➔ Retire cualquier obstáculo que haya entre el mando a distancia y la unidad principal.
- ➔ Si hay una luz intensa cerca de la unidad, apáguela.

Si no se restablece el funcionamiento normal, desconecte el cable de alimentación de la toma de red y vuélvalo a conectar.

Especificaciones

Sección del amplificador

Potencia de salida continua	RMS: 120 W + 120 W (1 kHz, 4 Ω, 0,5%) 90 W + 90 W (1 kHz, 8 Ω, 0,5%)
Distorsión armónica total	0,02% (1 kHz, 8 Ω, 60 W)
Sensibilidad/Impedancia de entrada	PHONO: 2,8 mV/47 kΩ LINE*: 180 mV/47 kΩ
Relación señal-ruido: (IHF-A)	PHONO: 65 dB LINE*: 90 dB
Nivel/Impedancia de salida	TAPE: 150 mV/3,3 kΩ
Respuesta de frecuencia	PHONO: 20 - 20.000 Hz, ±1 dB (RIAA) LINE*: 5 - 80.000 Hz, (SOURCE DIRECT, 1 W)
Control de tono	Graves: ±10 dB a 100 Hz Agudos: ±10 dB a 10 kHz
Silenciamiento	-20 dB

Generalidades

Requerimientos de alimentación	230 V c.a., 50 Hz
Consumo de energía	300 W En reposo/espera (standby) 0,5 W
Dimensiones (An x Al x P)	435 x 142 x 355 mm
Peso (neto)	9,2 kg

Accesorios de serie

Mando a distancia (UR-431)	x 1
Pila (AAA, R03, UM-4)	x 2
Manual del usuario	x 1
Tarjeta de garantía	x 1
Cable de alimentación (corriente)	x 1

* LINE se refiere a TUNER (sintonizador), CD, AUX1, AUX2, TAPE1/CD-R (cinta 1/CD-R) y TAPE2 (cinta 2).

- El diseño y las especificaciones están sujetos a cambios sin previo aviso.
- Las ilustraciones pueden diferir de los modelos de producción.

Para consumidores europeos

Información para consumidores sobre recogida y eliminación de equipos viejos y pilas usadas

Estos símbolos en los productos, embalajes y/o documentos que los acompañan significan que los productos eléctricos y electrónicos y las pilas no deben mezclarse con la basura doméstica. Para que los productos viejos y las pilas usadas reciban un tratamiento de recuperación y reciclaje adecuado, por favor llévelos a los puntos de recogida pertinentes, de acuerdo con la legislación de su país y de las Directivas Europeas 2002/96/EC y 2006/66/EC.

Deshaciéndose correctamente de estos productos y de las pilas, usted contribuye a conservar recursos valiosos y a prevenir cualquier efecto negativo potencial sobre la salud humana y el medioambiente que podrían derivarse de una gestión incorrecta de estos residuos.

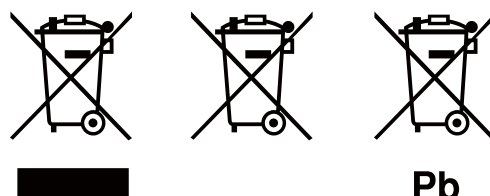
Para más información sobre la recogida y el reciclaje de productos viejos y pilas usadas, por favor contacte con su ayuntamiento, con el servicio local de recogida de basuras o con el punto de venta donde los adquirió.

Información sobre cómo deshacerse de estos productos en otros países fuera de la Unión Europea

Estos símbolos solamente son válidos en la Unión Europea. Si desea deshacerse de estos productos, por favor contacte con las autoridades locales o con su distribuidor e infórmese del método adecuado para ello.

Nota para el símbolo de las pilas (los 2 ejemplos de símbolos abajo a la derecha):

Este símbolo podría utilizarse junto a un símbolo químico. En tal caso cumple con lo dispuesto por la Directiva para cuando hay elementos químicos involucrados.



Vielen Dank, dass Sie sich für dieses TEAC-Produkt entschieden haben. Bitte lesen Sie diese Anleitung sorgfältig durch, um die Leistung des A-R650 optimal nutzen zu können.

Vor der ersten Inbetriebnahme	33
Anschlüsse.....	34
Bedienelemente und deren Funktion	36
Verwendung der Fernbedienung	38
Grundlegende Bedienung.....	38
Hilfe bei Funktionsstörungen	41
Technische Daten.....	42

ACHTUNG

- Vermeiden Sie Aufstellungsorte, an denen der A-R650 Tropf- oder Spritzwasser ausgesetzt ist.
- Platzieren Sie keine mit Flüssigkeiten gefüllten Gefäße, wie etwa Vasen, auf dem A-R650.
- Installieren Sie den Verstärker nicht in geschlossenen Möbeln, wie etwa einem Bücherschrank oder einem geschlossenen Regalsystem.
- Der A-R650 bezieht auch im Bereitschaftsmodus – POWER- oder STANDBY/ON-Schalter befinden sich in der Stellung „Standby“ – geringen Ruhestrom aus dem Stromnetz.
- Platzieren Sie den A-R650 so, dass die Wandsteckdose, an der Sie ihn betreiben, jederzeit leicht zugänglich ist.
- Achten Sie darauf, dass Netzstecker und -kabel stets in einwandfreiem Zustand sind.
- Falls in diesem Produkt Batterien (das Akkupack oder austauschbare Trockenbatterien) verwendet werden, dürfen diese nicht direkter Sonne, Feuer oder großer Hitze ausgesetzt sein.
- ACHTUNG: Bei inkorrekt vorgenommenem Batteriewechsel besteht Explosionsgefahr. Verwenden Sie zum Austausch ausschließlich Batterien des gleichen oder gleichwertigen Typs.
- Achten Sie auf Ihr Gehör, wenn Sie Ohr- oder Kopfhörer am A-R650 betreiben. Zu hoher Schalldruck von Ohr- oder Kopfhörern kann Hörschäden oder -verlust verursachen.

Lesen und beachten Sie die folgenden Hinweise, bevor Sie den A-R650 in Betrieb nehmen.

- Achten Sie darauf, dass um den A-R650 stets ausreichend Raum zur Luftzirkulation vorhanden ist, da sich der Verstärker während des Betriebs erwärmen kann.
- Die Spannung, an der der A-R650 betrieben wird, sollte den Angaben auf der Geräterückseite entsprechen. Falls Sie diesbezüglich Zweifel haben, kontaktieren Sie bitte einen Elektrofachmann.
- Achten Sie beim Aufstellen des A-R650 darauf, dass er nicht direkter Sonneneinstrahlung oder anderen Wärmequellen ausgesetzt ist. Vermeiden Sie Betriebsorte, an denen der Receiver Erschütterungen, hoher Staubeinwirkung, extremer Hitze, Kälte oder Feuchtigkeit ausgesetzt ist.
- Stellen Sie den A-R650 nicht auf einen anderen Verstärker (Endstufe)/Receiver.
- Öffnen Sie nicht das Gehäuse, da dies Schäden an der Elektronik oder einen Stromschlag verursachen kann. Falls ein Fremdkörper ins Geräteinnere eingedrungen ist, kontaktieren Sie Ihren Fachhändler oder ein autorisiertes Servicecenter.
- Achten Sie beim Ziehen des Netzsteckers darauf, dass Sie stets am Stecker ziehen und niemals am Kabel.
- Versuchen Sie nicht, den A-R650 mittels chemischer Lösungsmittel zu reinigen, da dies zu Schäden an der Gehäuseoberfläche führen kann. Verwenden Sie ein sauberes, trockenes Tuch.
- Bewahren Sie diese Bedienungsanleitung an einem sicheren Ort auf, so dass Sie jederzeit etwas nachlesen können.
- Bedienungs Hinweise und Illustrationen dieser Anleitung beziehen sich auf das Europa-Modell.

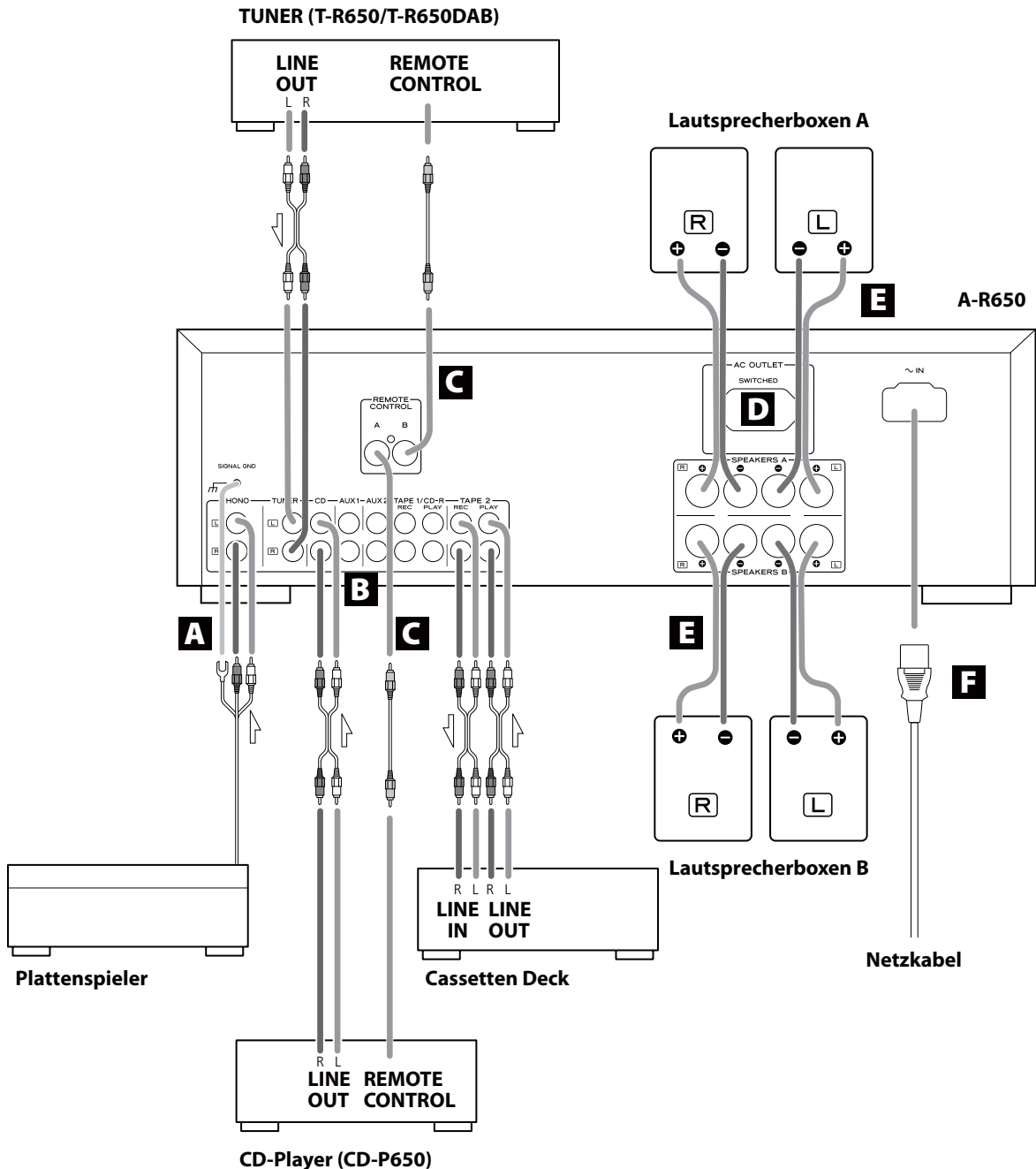
Pflege und Wartung

Falls die Gehäuseoberfläche des A-R650 verschmutzt ist, verwenden Sie zum Reinigen ein weiches Tuch oder milde Seifenlösung. Verwenden Sie keinen Verdünner, Benzin oder Alkohol, da dies die Gehäuseoberfläche beschädigen kann.

Anschlüsse

ACHTUNG:

- Schalten Sie vor dem Herstellen von Verbindungen alle Geräte aus.
- Lesen und beachten Sie die Hinweise in den Bedienungsanleitungen aller Komponenten, die Sie an diesem Verstärker betreiben möchten.
- Achten Sie bitte auf korrekten Anschluss aller Steckverbindungen.
Audiosignalkabel sollten nicht mit Netz- oder Lautsprecherkabeln gebündelt verlegt werden, da anderenfalls Interferenzen auftreten können.



- PHONO → Plattenspieler
- TUNER → Tuner (T-R650/T-R650DAB)
- CD → CD-Player (CD-P650)
- AUX1/AUX2 → analoge Audiokomponente
- TAPE1/CD-R → Cassetten Deck, CD-Recorder, usw.
- TAPE2 → Cassetten Deck, CD-Recorder, usw.

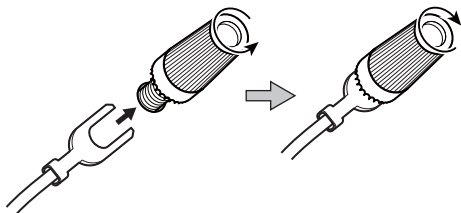
A PHONO-Buchsen und SIGNAL GND-Anschluss

Verbinden Sie die Ausgänge Ihres Plattenspielers mittels RCA (Cinch) Kabeln mit den PHONO-Eingangsbuchsen des A-R650.

Anschluss:

- weißer Stecker → weiße Buchse (L: linker Kanal)
- roter Stecker → rote Buchse (R: rechter Kanal)

Schließen Sie das Massekabel Ihres Plattenspielers an der SIGNAL GND-Schraubklemme des A-R650 an.



B AUDIO IN/OUT-Anschlüsse

Das analoge Stereo-Audiosignal wird über diese Anschlüsse ein- bzw. ausgegeben. Verwenden Sie zum Anschließen der entsprechenden Komponente ein handelsübliches RCA (Cinch) Kabel.

Anschluss:

- weißer Stecker → weiße Buchse (L: linker Kanal)
- roter Stecker → rote Buchse (R: rechter Kanal)

C REMOTE CONTROL-Buchsen

Sofern Sie einen TEAC T-R650, T-R650DAB sowie C-P650 besitzen, verbinden Sie deren REMOTE CONTROL-Buchsen mit einer der REMOTE CONTROL-Buchsen (A oder B) des A-R650. Verwenden Sie hierzu die zum Lieferumfang des T-R650, T-R650DAB sowie C-P650 gehörenden RCA (Cinch) Kabel.

D Geschalteter Netzausgang

Dieser Anschluss führt bei eingeschaltetem A-R650 Netzspannung.

ACHTUNG:

Achten Sie bitte darauf, dass die Gesamtleistungsaufnahme aller an diesem Anschluss betriebenen Geräte einen Maximalwert von 500mA oder 100 Watt nicht übersteigt.

E Lautsprecheranschlüsse

ACHTUNG:

Vergewissern Sie sich, dass der A-R650 ausgeschaltet ist, bevor Sie die Lautsprecherkabel anschließen. Andernfalls können die Lautsprecher durch Kontaktgeräusche usw. beschädigt werden.

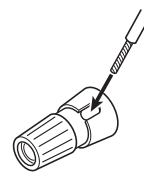
- Überprüfen Sie bitte die Anschlussimpedanz der zu verwendenen Lautsprecherboxen. Achten Sie beim Anschluss eines einzelnen Lautsprecherpaars (SPEAKERS A oder SPEAKERS B) darauf, dass die Anschlussimpedanz einer Box zwischen 4 und 16 Ohm beträgt. Bei gleichzeitiger Verwendung von zwei Boxenpaaren sollte deren Anschlusswiderstand jeweils zwischen 8 und 16 Ohm betragen.
- Die schwarzen Lautsprecheranschlussklemmen repräsentieren den Minuspol \ominus . Üblicherweise sind Lautsprecherkabel gekennzeichnet. Der (farbig) markierte Leiter entspricht hierbei dem Pluspol. Verbinden Sie daher den (farbig) markierten Leiter mit dem \oplus -Anschluss und den unmarkierten Leiter mit dem \ominus -Anschluss.

ACHTUNG:

Achten Sie bitte darauf, dass sich abisolierte Kabelenden nicht berühren. Andernfalls kann dies zu Kurzschlüssen führen, die möglicherweise einen Kabel- oder Gerätebrand sowie irreparable Schäden an Ihrem HiFi-System verursachen könnten.

Anschließen der Lautsprecherboxen Lautsprecherboxen A, B

- Drehen Sie zum Anschließen der Kabel die Klemmschrauben der Anschlussklemmen gegen den Uhrzeigersinn. Die Klemmschrauben lassen sich nicht komplett aus ihren Gewinden herausdrehen.
- Stecken Sie die abisolierten Kabelenden in die Anschlussöffnungen, und drehen Sie die Klemmschrauben im Uhrzeigersinn fest.



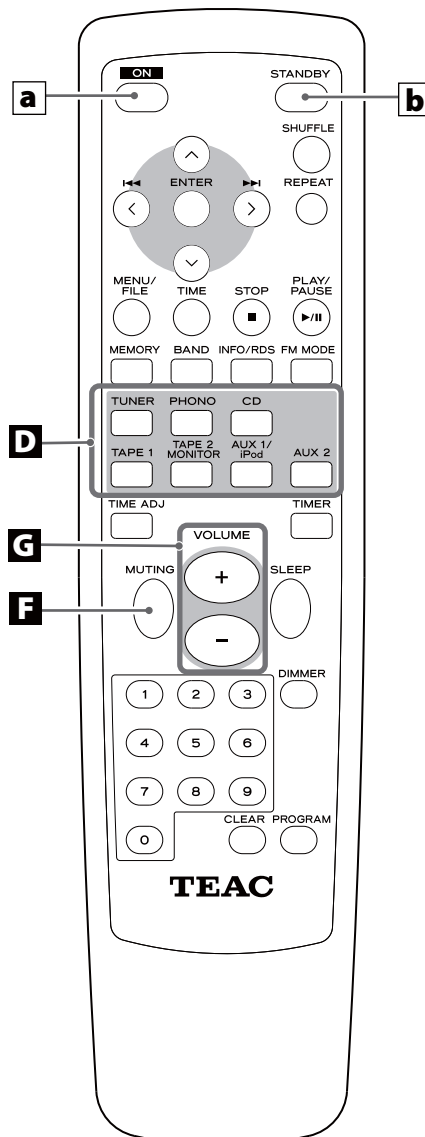
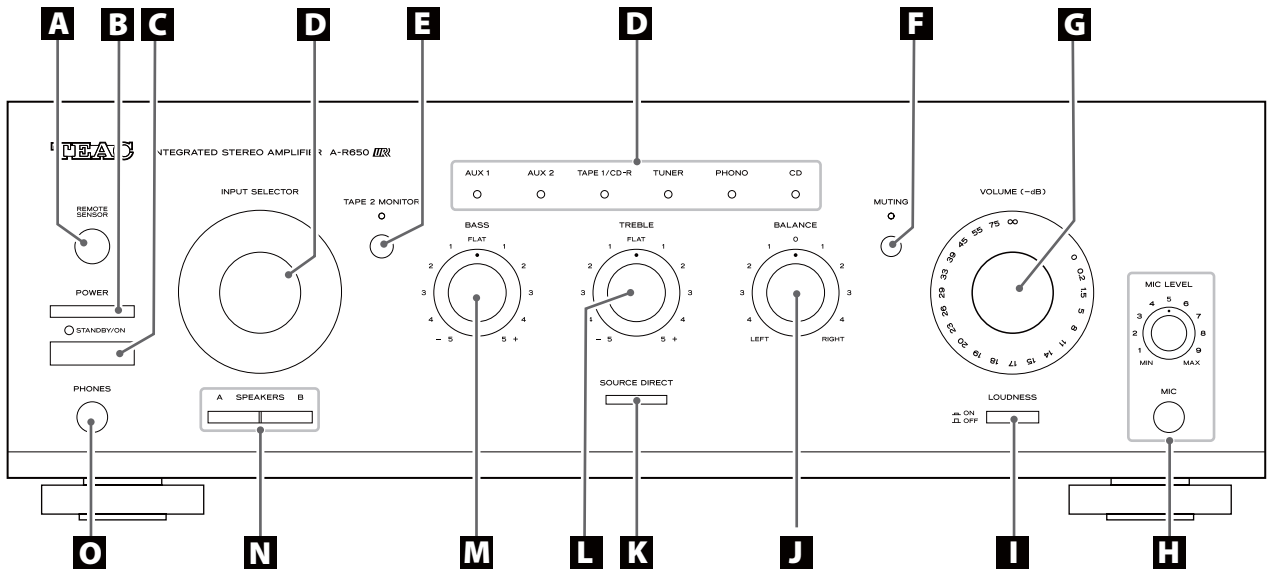
- Achten Sie darauf, dass nicht anstelle der abisolierten Kabelenden die Kabelummantelung festgeklemmt wird.
- Vergewissern Sie sich durch leichtes, vorsichtiges Ziehen, dass die Kabel richtig festgeklemmt sind.

F NETZANSCHLUSS

Verwenden Sie ausschließlich das mitgelieferte Netzkabel.

- Die Verwendung anderer Netzkabel kann Brand oder einen Stromschlag verursachen.
- Ziehen Sie den Netzstecker, wenn Sie den A-R650 über einen längeren Zeitraum nicht verwenden.
- Achten Sie stets darauf, dass Spannung und Netzfrequenz, an der Sie den A-R650 betreiben, mit den Angaben auf der Geräterückseite übereinstimmen. Ziehen Sie den Netzstecker und niemals am Netzkabel.
- Ziehen Sie zum Abstecken des Netzkabels am A-R650 niemals am Kabel, sondern stets am daran befindlichen Gerätestecker.

Bedienelemente und deren Funktion



A Fernbedienungssensor

Richten Sie die Fernbedienung zum Übermitteln von Steuerungsbefehlen auf den Sensor am A-R650.

B POWER

Betätigen Sie diese Taste, um den A-R650 aus- oder in den Bereitschaftsmodus zu schalten.

C STANDBY/ON

Sofern der POWER-Schalter (Netzschalter) des A-R650 eingeschaltet ist, können Sie den Verstärker mittels dieser Taste ein- oder in den Bereitschaftsmodus (Standby) schalten.

Die Standby-Anzeige leuchtet, wenn sich der A-R650 im Bereitschaftsmodus befindet.

D INPUT SELECTOR

Verwenden Sie den Eingangswahlschalter (oder die entsprechenden Tasten auf der Fernbedienung), um die gewünschte Audiosignalquelle auszuwählen.

Die zugehörige Anzeige der jeweils gewählten Signalquelle leuchtet.

E Tape 2 Monitor-Funktion (Hinterbandkontrolle)

Betätigen Sie zur Wiedergabe der mit dem TAPE 2-Anschluss verbundenen Signalquelle. Hierdurch aktivieren Sie die Hinterbandkontrollfunktion und die TAPE MONITOR-Anzeige leuchtet. Erneutes Betätigen der TAPE MONITOR-Taste schaltet die Tape Monitor-Funktion wieder aus.

F MUTING

Mittels dieser Taste können Sie die Wiedergabe zeitweise stumm schalten.

Diese Anzeige blinkt bei aktivierter Stummschaltung.

G VOLUME

Dieser Drehregler (oder die entsprechenden VOLUME-Tasten auf der Fernbedienung) dient zum Einstellen der Wiedergabelautstärke.

H Mikrofonaufnahmepegelregler (MIC/MIC LEVEL)

Das Signal des hier angeschlossenen Mikrofons kann zu der mittels Eingangswahlschalter (INPUT SELECTOR) gewählten Signalquelle eingeblendet (gemischt) werden. Der Mischpegel kann über den MIC LEVEL-Pegelregler bestimmt werden.

I LOUDNESS

Die LOUDNESS-Taste dient zum gehörrichtigen Ausgleich des Bassbereichs bei geringen Wiedergabelautstärken.

J BALANCE

Verwenden Sie diesen Regler, um das Lautstärkeverhältnis (die Balance) zwischen linken und rechten Lautsprechersystemen einzustellen (Balance).

In den meisten Fällen sollte dieser Regler auf Mittelstellung eingestellt werden.

K SOURCE DIRECT

Betätigen Sie zum Aktivieren oder Deaktivieren der Source Direct-Funktion diese Taste.

Bei aktiver Source Direct-Funktion leuchtet die Taste und die Wiedergabe erfolgt unter Umgehung der Klangregelstufe.

L TREBLE

Verwenden Sie diesen Regler, um die Wiedergabelautstärke des Hochtonbereichs einzustellen.

M BASS

Verwenden Sie diesen Regler, um die Wiedergabelautstärke des Bassbereichs einzustellen.

N SPEAKERS

Mittels dieser Taste können Sie die Lautsprecherwiedergabe ein- oder ausschalten.

ON: das Audiosignal wird über die angeschlossenen Lautsprechersysteme wiedergegeben.

OFF: über die angeschlossenen Lautsprechersysteme wird kein Audiosignal wiedergegeben.

O PHONES

An diesem Anschluss können Sie einen Stereokopfhörer anschließen, dessen Wiedergabelautstärke mittels VOLUME-Drehregler eingestellt werden kann.

Fernbedienung

Falls Sie am A-R650 einen TEAC CD-Player (CD-P650) oder Tuner (T-R650/T-R650DAB) betreiben, wählen Sie mittels INPUT SELECTOR-Tasten (siehe **D**) auf der Fernbedienung zuerst die gewünschte Signalquelle aus.

a ON

Sofern sich der POWER-Schalter des A-R650 in der "ON"-Position befindet, können Sie den Verstärker mittels dieser Taste einschalten.

b STANDBY

Sofern sich der POWER-Schalter des A-R650 in der "ON"-Position befindet, können Sie den Verstärker mittels dieser Taste in den Bereitschaftsmodus (STANDBY) versetzen.

Die anderen Tasten dienen zur Steuerung eines TEAC CD-P650, T-R650 sowie T-R650DAB.

Hinweis:

Zur Vereinfachung beziehen sich Erklärungen und Hinweise in dieser Bedienungsanleitung auf die Namen der Tasten und Steuerelemente auf der Gerätevorderseite des A-R650. Die Tasten der Fernbedienung besitzen die gleichen Steuerungseigenschaften, wie die entsprechenden Tasten des A-R650.

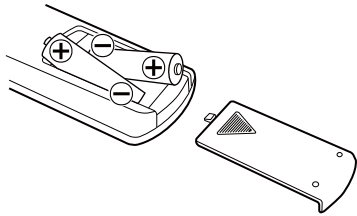
Verwendung der Fernbedienung

Der Verstärker sowie andere TEAC-Komponenten, die auf der Gerätevorderseite ein UR-Logo (UR) tragen, können über die im Lieferumfang befindliche „UR“-Fernbedienung gesteuert werden.

Richten Sie die Fernbedienung bei deren Verwendung stets auf den auf der Frontseite des Verstärkers (oder einer anderen TEAC-Komponente) befindlichen REMOTE SENSOR aus.

- Innerhalb des Betriebsradius können Gegenstände, die sich zwischen Fernbedienung und Empfangssensor befinden, die Übermittlung von Steuerungsbefehlen beeinträchtigen.
- Bei Verwendung der Fernbedienung können am Verstärker Fehlfunktionen auftreten, wenn er in der Nähe eines Geräts betrieben wird, das Infrarotstrahlen aussendet oder wenn Infrarotfernbedienungen anderer Geräte im gleichen Raum verwendet werden. Ebenso kann die Fernbedienung des A-R650 die Funktion anderer mittels Infrarotsignalen gesteuerter Geräte beeinflussen.

Einsetzen der Batterien



1. Entfernen Sie die Batteriefach-Abdeckung.
2. Setzen Sie zwei Batterien des Typs „AAA“ (R03, UM-4) ein. Beachten Sie hierbei deren korrekte Polarität (⊕/⊖).
3. Bringen Sie die Abdeckung wieder an.

Austauschen der Batterien

Sollte der Betriebsradius, in dem der A-R650 auf Befehle der Fernbedienung reagiert, abnehmen, so ist dies ein Anzeichen dafür, dass die Batterien verbraucht sind und durch neue ersetzt werden sollten.

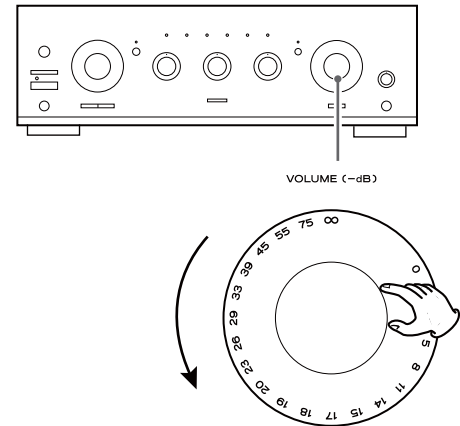
Informationen zu Sammelpunkten für verbrauchte Batterien erhalten Sie auf Anfrage von Ihrer Stadtverwaltung, den zuständigen Entsorgungsbetrieben oder dem Händler, bei dem Sie die Batterien gekauft haben.

Sicherheitshinweise zum Umgang mit Batterien

- Achten Sie beim Einsetzen der Batterien auf korrekte Polarität.
- Verwenden Sie ausschließlich Batterien des gleichen Typs. Verwenden Sie niemals Batterien unterschiedlichen Typs zusammen.
- Sie können herkömmliche Trockenbatterien oder wiederaufladbare Batterien (Akkus) verwenden. Beachten Sie bitte die jeweiligen Sicherheitshinweise auf den Batterielabels.
- Nehmen Sie die Batterien aus der Fernbedienung, wenn Sie diese über einen längeren Zeitraum (länger als einen Monat) nicht verwenden, um die Batterien vor Auslaufen zu schützen.
- Falls Batterien im Batteriefach der Fernbedienung ausgelaufen sein sollten, reinigen Sie das Batteriefach, und ersetzen Sie die defekten Batterien durch frische.
- Verwenden Sie ausschließlich zugelassene Batterietypen. Verwenden Sie niemals verbrauchte Batterien zusammen mit neuen oder Batterien unterschiedlichen Typs.
- Erhitzen oder zerlegen Sie Batterien nicht und werfen Sie sie niemals ins Feuer oder Wasser.
- Achten Sie beim Transport sowie der Lagerung von Batterien darauf, dass Metallobjekte keinen Kurzschluss verursachen können. Andernfalls könnten die Batterien auslaufen oder explodieren.
- Versuchen Sie niemals Trockenbatterien wieder aufzuladen.

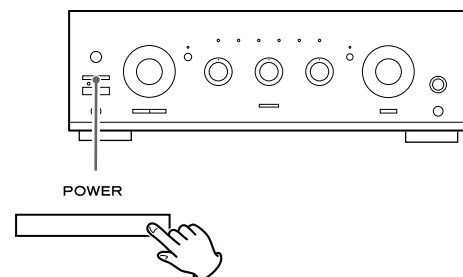
Grundlegende Bedienung 1

- 1 Verringern Sie bitte stets die Wiedergabelautstärke, um die angeschlossenen Lautsprechersysteme vor Beschädigung durch plötzlich auftretende Pegelspitzen zu schützen. Drehen Sie den VOLUME-Regler gegen den Uhrzeigersinn zurück.**



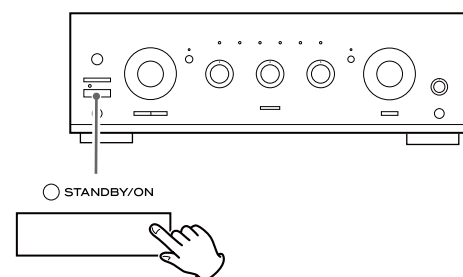
-∞ (unendlich): minimale Wiedergabelautstärke
0dB: maximale Wiedergabelautstärke

- 2 Betätigen Sie den POWER-Schalter.**



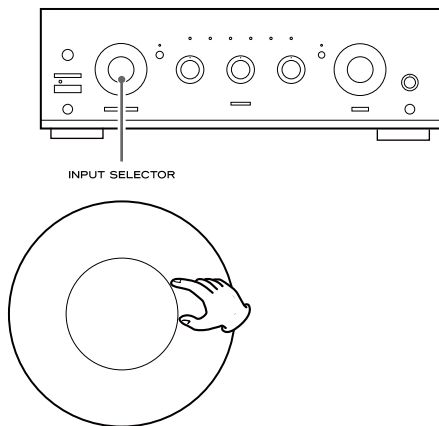
Der Verstärker wird in den Bereitschaftsmodus versetzt, und die Standby-Anzeige leuchtet.

- 3 Betätigen Sie zum Einschalten des A-R650 den STANDBY/ON-Schalter.**



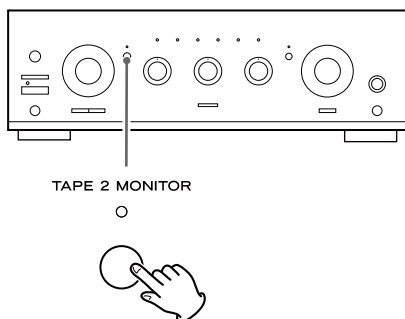
Die Standby-Anzeige erlischt.

- 4 Wählen Sie mittels INPUT SELECTOR eine Audiosignalquelle zur Wiedergabe aus (oder betätigen Sie die entsprechende INPUT SELECTOR-Taste auf der Fernbedienung).**



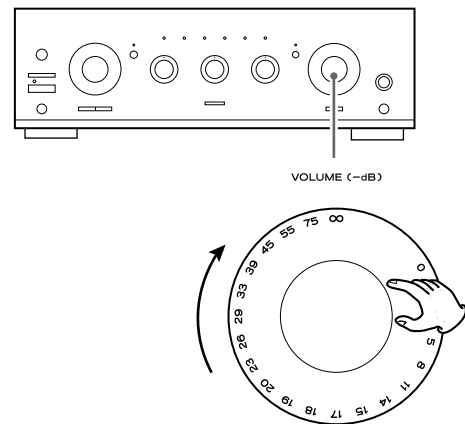
Tape Monitor-Funktion (Hinterbandkontrolle)

Betätigen Sie zur Wiedergabe der an TAPE 2 angeschlossenen Signalquelle die TAPE 2 MONITOR-Taste. Hierdurch aktivieren Sie die Hinterbandkontrollfunktion und die TAPE 2 MONITOR-Anzeige leuchtet. Erneutes Betätigen der TAPE 2 MONITOR-Taste schaltet die Tape Monitor-Funktion wieder aus.



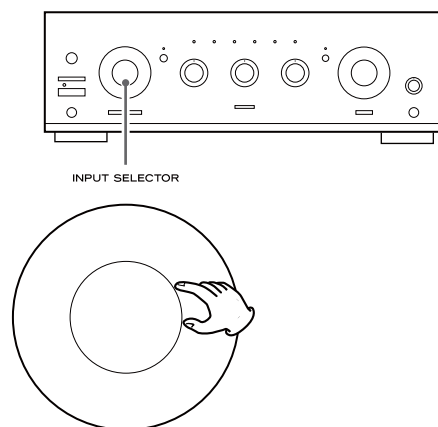
- Bei aktiver Tape Monitor-Funktion wird ausschließlich das Audiosignal der an TAPE 2 angeschlossenen Signalquelle wiedergegeben. Schalten Sie zur Wiedergabe anderer Signalquellen die Hinterbandkontrollfunktion aus.

- 5 Starten Sie die Wiedergabe der ausgewählten Signalquelle, und erhöhen Sie behutsam die Wiedergabelautstärke. Drehen Sie hierzu den VOLUME-Regler im Uhrzeigersinn.**



Aufnahmebetrieb

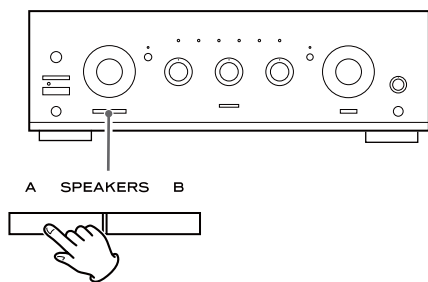
- 1 Wählen Sie mittels INPUT SELECTOR die Audiosignalquelle, deren Signal Sie aufzeichnen möchten.**



- 2 Starten Sie die Aufnahme.**

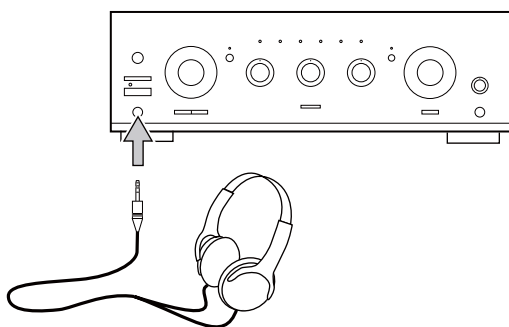
- Lautstärke- und Klangregelung haben keinen Einfluss auf die Aufnahme.
- Sofern Sie an TAPE 2 (PLAY- und REC-Buchsen) ein Dreikopf-Cassetten Deck angeschlossen haben und während des Aufnehmens die Hinterbandkontrollfunktion aktivieren, wird nicht das Eingangssignal sondern das soeben aufgezeichnete Audiosignal wiedergegeben.

Lautsprecherwiedergabe Ein-/Ausschalten



Betätigen Sie zum Ein-/Ausschalten der Wiedergabe über die angeschlossenen Lautsprecherboxen die SPEAKER-Taste (A oder B).

Kopfhörer



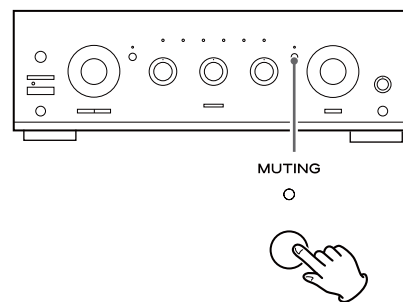
Stellen Sie den VOLUME-Regler auf dessen Minimalwert (linker Anschlag) ein, schließen Sie Ihren Stereokopfhörer an der PHONES-Buchse an und stellen Sie anschließend mittels VOLUME-Regler eine gehörrichtige Wiedergabelautstärke ein.

Falls Sie die Wiedergabe der angeschlossenen Lautsprechersysteme stumm schalten möchten, betätigen Sie die SPEAKERS-Taste.

ACHTUNG

Regulieren Sie die Wiedergabelautstärke stets auf den Minimalwert zurück, bevor Sie Kopfhörer anschließen. ZUR VERMEIDUNG VON HÖRSCHÄDEN sollten Kopfhörer grundsätzlich erst dann aufgesetzt werden, wenn sie am PHONES-Ausgang angeschlossen sind.

Stummschaltung

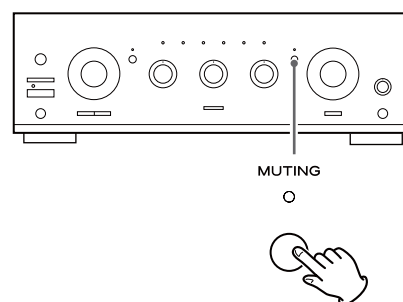


Betätigen Sie die MUTING-Taste, um die Wiedergabe zeitweise stumm zu schalten.

Durch erneutes Betätigen der MUTING-Taste wird die Wiedergabe mit der zuvor eingestellten Lautstärke fortgesetzt.

- Bei aktivierter Stummschaltung blinkt die MUTING-Anzeige.

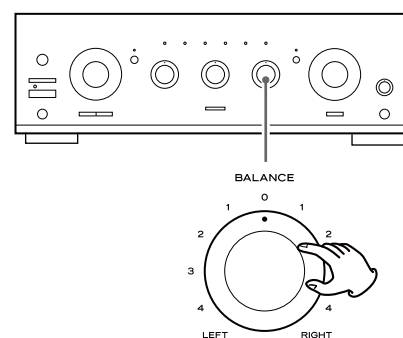
LOUDNESS-Taste



Diese Taste dient der gehörrichtigen Anpassung des Bassfrequenzbereichs bei leisen Wiedergabepegeln.

Achten Sie bitte darauf, dass sich die Taste bei normaler Wiedergabelautstärke in der „OFF“-Stellung befindet.

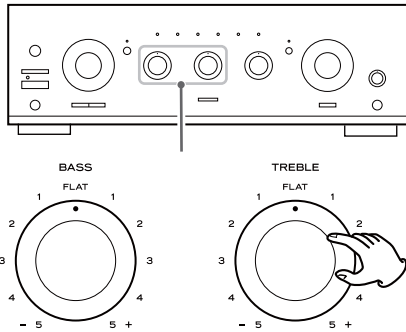
Einstellen der Lautsprecher-Balance



Verwenden Sie diesen Regler, um das Lautstärkeverhältnis (die Balance) zwischen den linken und rechten Lautsprechersystemen einzustellen.

In den meisten Fällen sollte dieser Regler auf Mittelstellung eingestellt werden.

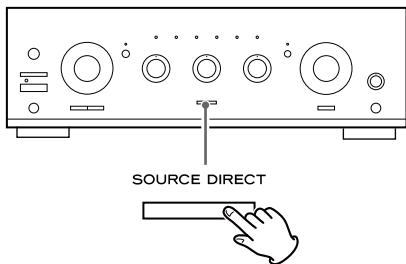
Klangregelung



Verwenden Sie den BASS-Regler, um die Wiedergabelautstärke des Bassbereichs einzustellen.

Verwenden Sie den TREBLE-Regler, um die Wiedergabelautstärke des Hochtonbereichs einzustellen.

Source Direct



Betätigen Sie zum Aktivieren oder Deaktivieren der Source Direct-Funktion diese Taste.

Bei aktiver Source Direct-Funktion leuchtet die Taste und die Wiedergabe erfolgt unter Umgehung der Klangregelstufe.

Falls beim A-R650 etwaige Funktionsstörungen auftreten sollten, versuchen Sie bitte, anhand der folgenden Hinweise selbst Abhilfe zu schaffen, bevor Sie sich an Ihren Fachhändler oder ein autorisiertes TEAC-Servicecenter wenden.

Keine Strom-/Spannungsversorgung

- ➔ Überprüfen Sie bitte die korrekte Verbindung zwischen A-R650 und Wandsteckdose. Vergewissern Sie sich, dass die Steckdose, an der Sie den A-R650 betreiben, nicht mittels Schalter ausgeschaltet ist. Falls dies doch der Fall sein sollte, schalten Sie den Schalter ein. Überprüfen Sie die einwandfreie Funktion der Wandsteckdose, indem Sie ein anderes elektrisches Gerät, von dem Sie wissen, dass es einwandfrei funktioniert, wie beispielsweise einen Ventilator oder eine Lampe, an der betreffenden Steckdose anschließen.

Die Wiedergabe ist nicht oder lediglich sehr leise zu hören

- ➔ Stellen Sie mittels VOLUME-Regler eine gehörige Wiedergabelautstärke ein.
- ➔ Positionieren Sie den BALANCE-Regler in Mittenstellung („0“).
- ➔ Vergewissern Sie sich, dass sämtliche Lautsprecherboxen und externe Audiokomponenten korrekt angeschlossen sind.
- ➔ Vergewissern Sie sich, dass sich die SPEAKERS-Taste des verwendeten Lautsprecherausgangs (A und/oder B) auf der Vorderseite des A-R650 in der „ON“-Position befindet.
- ➔ Falls die Hinterbandkontrollfunktion aktiviert ist, betätigen Sie die TAPE 2 MONITOR-Taste, um die Funktion abzuschalten.

Die Wiedergabelautstärke der jeweils an SPEAKERS A und SPEAKERS B angeschlossenen Lautsprechersysteme ist unterschiedlich

- ➔ Wiedergabelautstärke und Klangqualität sind abhängig vom jeweils verwendeten Boxentyp (Volumen, Wandlersysteme, usw.). Verwenden Sie identische Boxenmodelle, wenn die an SPEAKERS „A“ und „B“ gleichzeitig betriebenen Lautsprechersysteme ein homogenes Klangbild aufweisen sollen.

Die Wiedergabe ist verrauscht

- ➔ Der A-R650 befindet sich in unmittelbarer Nähe eines Fernsehgeräts/Monitors oder einer anderen Quelle, die Interferenzen verursacht. Wählen Sie für den A-R650 einen anderen Aufstellungsort oder schalten Sie die Geräte, die die Störungen verursachen, aus.
- ➔ Verbinden Sie die Masse des Plattenspielers mit dem SIGNAL GND-Anschluss des A-R650.

Die Wiedergabe wird plötzlich unterbrochen oder ist überhaupt nicht möglich, obwohl der A-R650 eingeschaltet ist.

- ➔ Die Lautsprecherimpedanz der angeschlossenen Lautsprechersysteme ist niedriger als der vorgeschriebene Mindestwert. Verwenden Sie andere Lautsprechersysteme.
- ➔ Schalten Sie den A-R650 aus und reduzieren Sie die Lautstärke.

Bassfrequenzen werden lediglich sehr leise wiedergegeben.

- ➔ Beim Anschließen der Lautsprechersysteme wurde die Polarität (⊕/⊖) vertauscht. Überprüfen Sie alle Lautsprecherboxen auf korrekte Anschlusspolarität.

Die Fernbedienung funktioniert nicht

- ➔ Versetzen Sie den A-R650 durch Betätigen des POWER-Schalters in Betriebsbereitschaft.
- ➔ Überprüfen Sie die Batterien der Fernbedienung. Ersetzen Sie verbrauchte Batterien durch neue.
- ➔ Verwenden Sie die Fernbedienung in einem Betriebsradius von 5m, und richten Sie sie auf den Remote Sensor auf der Frontseite des Verstärkers aus.
- ➔ Falls sich Hindernisse, wie beispielsweise Möbel, usw., zwischen der Fernbedienung und dem Verstärker befinden, wechseln Sie Ihre Position oder deren Standort.
- ➔ Falls sich eine sehr helle Lichtquelle in unmittelbarer Nähe der Fernbedienung befindet, schalten Sie die Lampe aus.

In einigen Fällen können Funktionsstörungen, die sich anderweitig nicht beseitigen lassen, durch Ziehen des Netzsteckers behoben werden. Hierdurch der interne Mikroprozessor zurückgesetzt (Reset). Warten Sie ungefähr zwanzig Sekunden, bevor Sie den Netzstecker wieder anschließen.

Hinweise für Kunden in Europa

Entsorgung elektrischer oder elektronischer Geräte sowie verbrauchter Batterien

Sofern Geräte, deren Verpackung oder Batterien mit dem Symbol einer durchgekreuzten Abfalltonne gekennzeichnet sind oder in der jeweiligen Dokumentation darauf hingewiesen wird, bedeutet dies, dass deren Entsorgung gemäß der RICHTLINIEN 2002/96/EG sowie 2006/66/EG des EUROPÄISCHEN PARLAMENTS UND DES RATES bezüglich Elektro- und Elektronik-Altgeräte geregelt ist.

Sämtliche elektrischen und elektronischen Geräte sowie verbrauchte Batterien müssen demgemäß, getrennt vom Restmüll, den von der jeweils zuständigen städtischen, Landes- oder Bundesbehörde dazu bestimmten, gesonderten Wertstoffsammlungen zugeführt werden.

Die korrekte Entsorgung elektrischer oder elektronischer Geräte trägt in hohem Maß der Vermeidung möglicher negativer Konsequenzen für die Umwelt und damit auch für Ihre eigene sowie die Gesundheit Anderer bei.

Weiterführende Informationen bezüglich der Entsorgung Ihrer elektrischen oder elektronischen Geräte sowie verbrauchter Batterien erhalten Sie auf Anfrage bei ihrem zuständigen Stadtbüro, der Abfallentsorgungsgesellschaft oder dem Händler, bei dem Sie das Gerät ursprünglich erworben haben.

Hinweise zur Entsorgung in Ländern außerhalb der Europäischen Union

Diese Symbole sind ausschließlich für Mitgliedsländer der Europäischen Union wirksam. Bei Fragen zur Entsorgung in anderen Ländern wenden Sie sich bitte an die zuständigen, lokalen Behörden oder Ihren Fachhändler.

Hinweis zum Batteriesymbol (unten rechts):

Dieses Symbol wird möglicherweise zusammen mit der Bezeichnung eines chemischen Elements verwendet. Dies weist darauf hin, dass die entsprechende Richtlinie zur Entsorgung der genannten Chemikalie anzuwenden ist.



Pb

Verstärkerteil

AusgangsleistungRMS: 120 W + 120 W (1 kHz, 4 Ohm, 0,5%) 90 W + 90 W (1 kHz, 8 Ohm, 0,5%)
Klirrfaktor 0,02% (1 kHz, 8 Ohm, 60 W)
Eingangsempfindlichkeit/Impedanz	... PHONO: 2,8 mV/47 k Ohm LINE*: 180 mV/47 k Ohm
Störspannungsabstand (IHF-A)PHONO: 65 dB LINE*: 90 dB
Ausgangspegel/ImpedanzTAPE: 150 mV/3,3 k Ohm
Frequenzgang PHONO: 20 bis 20.000 Hz, ± 1 dB (RIAA) LINE*: 5 bis 80.000 Hz, (Signalquelle direkt, 1 W)
KlangregelungBässe: ± 10 dB bei 100 Hz Hochtonbereich: ± 10 dB bei 10 kHz
Stummschaltung -20 dB

Allgemein

Spannungsversorgung 230 V Wechselspannung, 50 Hz
Leistungsaufnahme300 W
Betriebsbereitschaft (Standby)0,5 W
Abmessungen (B x H x T) 435 x 142 x 355 mm
Nettogewicht 9,2 kg

Mitgeliefertes Zubehör

- Fernbedienung (UR-431) x 1
- AAA (R03, UM-4) Batterie x 2
- Bedienungsanleitung x 1
- Garantiekarte x 1
- Netzkabel x 1

*LINE bedeutet: TUNER, CD, AUX1, AUX2, TAPE1/CD-R, TAPE2

- Änderungen in Design und technischer Ausstattung vorbehalten.
- Alle Gewichtsangaben und Abmessungen sind Näherungswerte.
- Abbildungen können geringfügig von den Produktionsmodellen abweichen.

Grazie per aver acquistato un prodotto TEAC. Leggere attentamente questo manuale per ottenere le migliori prestazioni da questo apparecchio.

Istruzioni preliminari	43
Collegamenti	44
Descrizione dei singoli controlli	46
Funzionamento col telecomando	48
Operazioni fondamentali	48
Ricerca guasti	51
Caratteristiche tecniche	52

ATTENZIONE

- Non esporre questo apparecchio al rischio di ricevere spruzzi d'acqua o di altri liquidi.
- Non appoggiarvi sopra oggetti contenenti acqua o liquidi di altro genere.
- Non installare questo apparecchio in uno spazio ristretto come il vano di una libreria o un ripiano simile.
- Questo apparecchio quando l'interruttore di accensione (POWER /STAND BY) è nella posizione STAND BY consuma una insignificante quantità di corrente.
- Questo apparecchio deve essere collocato sufficientemente vicino alla presa di corrente affinché questa possa essere raggiunta con facilità in ogni momento.
- La presa di corrente deve essere considerata come il mezzo per isolare l'apparecchio e pertanto dovrà essere sempre facilmente raggiungibile.
- Batterie (pacchetto di batterie o le batterie installate) non dovranno essere esposte a calore eccessivo come luce solare, fuoco o altre fonti di calore.
- **ATTENZIONE:** pericolo di esplosione se la batteria viene sostituita in modo scorretto. Sostituire solo con lo stesso tipo o equivalente.
- Nell'utilizzo di cuffie si raccomanda di non alzare il volume ad alti livelli per evitare che ciò provochi danni al vostro udito.

Prima di mettere in funzione l'apparecchio, si prega di leggere attentamente queste istruzioni.

- Poiché l'apparecchio può scaldarsi durante l'uso si raccomanda di lasciare attorno ad esso sufficiente spazio per la ventilazione.
- L'apparecchio deve essere alimentato alla tensione riportata sul pannello posteriore. In caso di dubbio si raccomanda di chiedere a un elettricista.
- Il punto in cui collocare l'apparecchio deve essere scelto con attenzione. In particolare occorre evitare l'esposizione diretta al sole o la vicinanza alle sorgenti di calore. Non lo si deve inoltre sottoporre a eccessive vibrazioni né usarlo in ambienti eccessivamente polverosi, caldi, freddi o umidi.
- L'apparecchio non deve essere impilato su un amplificatore o un ricevitore.
- Non si deve aprire l'apparecchio, poiché ciò potrebbe causare il danneggiamento della circuiteria interna o divenire causa di scosse elettriche. Qualora vi penetri un corpo estraneo ci si deve rivolgere al proprio rivenditore o al servizio di assistenza tecnica designato.
- Per sfilare il cavo di alimentazione dalla presa di rete lo si deve afferrare direttamente per la spina anziché per il cordone.
- Non si deve pulire l'apparecchio con solventi chimici, poiché queste sostanze ne danneggerebbero la finitura esterna. Per la pulizia si deve usare piuttosto un panno pulito e asciutto.
- Si raccomanda infine di conservare questo manuale in un luogo sicuro per poterlo consultare in caso di necessità.
- I funzionamenti sono illustrati utilizzando il modello europeo per esempio in questo manuale.

Manutenzione

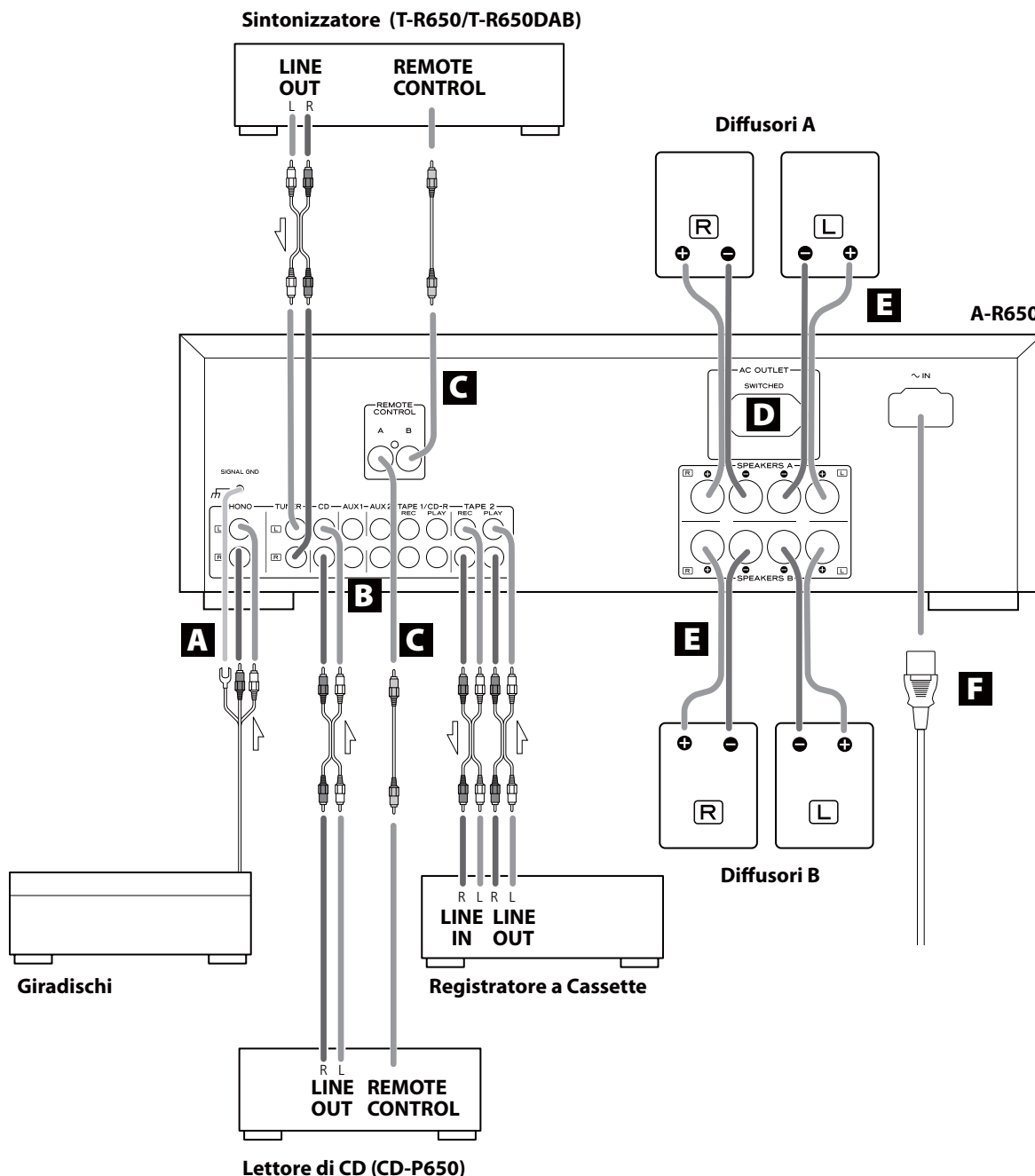
Per pulire quest'apparecchio utilizzare un panno inumidito con una soluzione d'acqua e sapone neutro oppure con un panno inumidito con lo stesso tipo di soluzione utilizzata per pulire la tastiera del computer. Poi rimuovere completamente ogni residuo.

Non usare mai prodotti a base di alcol o benzina che potrebbero danneggiarlo irreparabilmente.

Collegamenti

ATTENZIONE:

- Prima di eseguire i collegamenti, spegnete tutti gli apparecchi.
- Leggete le istruzioni relative a ciascun componente che intendete utilizzare con questa unità.
- Accertatevi quindi di inserire saldamente nella presa di rete le relative spine. Al fine di prevenire ronzii e rumore, evitate di raggruppare i cavi dei segnali di interconnessione con quello di alimentazione o con i cavi degli altoparlanti.



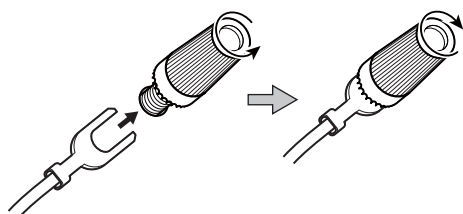
- PHONO → Giradischi
 TUNER → Sintonizzatore (T-R650/T-R650DAB)
 CD → Lettore di CD (CD-P650)
 DVR/VCR → Videoregistratore, ecc.
 AUX1/AUX2 → Componenti audio
 TAPE1/CD-R → Registratore a Cassette, Registratore CD, ecc.
 TAPE2 → Registratore a Cassette, Registratore CD, ecc.

A Connettori phono e presa di terra

Collegare i connettori tipo RCA del giradischi agli ingressi phono. Eseguite i collegamenti nel seguente modo:

- spinotto bianco → presa bianca (L: canale sinistro)
- spinotto rosso → presa rossa (R: canale destro)

Collegare il cavetto di messa a terra del giradischi con il connettore sul pannello posteriore (SIGNAL GROUND).



B Connettori AUDIO IN/OUT

Servono per l'ingresso/uscita del segnale audio analogico a 2 canali. Per il collegamento usare cavi tipo RCA disponibili in commercio.

Eseguite i collegamenti nel seguente modo:

- spinotto bianco → presa bianca (L: canale sinistro)
- spinotto rosso → presa rossa (R: canale destro)

C Presa REMOTE CONTROL

Se disponete del sintonizzatore TEAC modello T-R650, T-R650DAB o CD-P650 collegate la presa REMOTE CONTROL (A o B) di questo apparecchio per mezzo del cavo del telecomando (fornito con il modello T-R650, T-R650DAB o CD-P650).

D Presa di corrente (Commutata)

Questa presa è attiva solo quando l'apparecchio è acceso.

Attenzione:

Accertarsi che la corrente totale assorbita da tutti gli apparecchi collegati a questa presa non superi 100 watt o 500 mA.

E Collegamento dei diffusori

Attenzione:

Per evitare che l'uscita improvvisa di un segnale ad altissimo livello danneggi i diffusori, ricordarsi sempre di togliere l'alimentazione prima di effettuare questo collegamento.

- Verificare l'impedenza dei diffusori utilizzati. Se utilizzerete soltanto una coppia di diffusori non fa differenza se collegata ai terminali A o B (speaker A o speaker B) verificate che l'impedenza di questa sia compresa tra i 4 ed i 16 ohm. Se invece prevedete di utilizzare due coppie di diffusori simultaneamente verificate che la loro impedenza sia compresa tra 8 e 16 ohm.
- I terminali neri, contrassegnati \ominus , hanno polarità negativa. Di solito, l'estremità positiva del cavo di un diffusore è appositamente contrassegnata, o di colore diverso, per poterla distinguere dall'estremità negativa. Inserire perciò l'estremità contrassegnata nel terminale \oplus e quella senza contrassegno nel terminale nero \ominus .

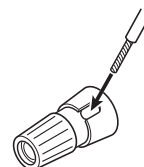
ATTENZIONE:

Le parti metalliche dei due fili non devono toccarsi, per non provocare un cortocircuito, con relativo danneggiamento degli stadi finali di amplificazione.

Per effettuare il collegamento

Diffusori A, B

1. Ruotare in senso antiorario il cappello del connettore per allentarlo.
2. Inserire a fondo il filo nel connettore e ruotare in senso orario il cappello per rendere ben saldo il collegamento.



- Accertatevi che soltanto la parte di cavo priva della guaina venga inserita sotto il terminale e accertatevi anche che il cavo sia ben fissato tirandolo leggermente.

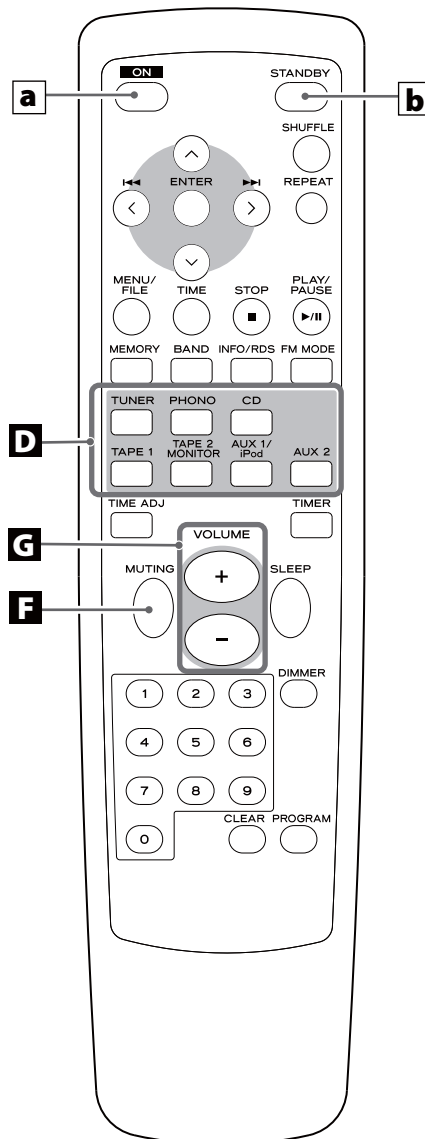
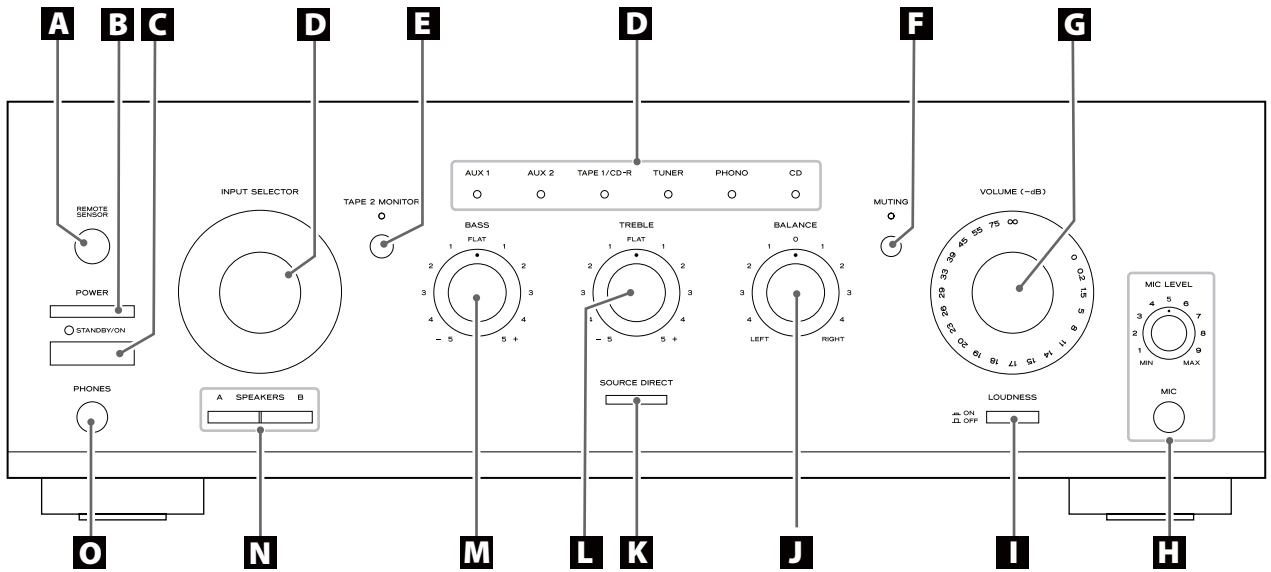
F Cavo di alimentazione CA

Usi soltanto il cavo di alimentazione fornito.

- L'uso dell'altro cavo di alimentazione può provocare il fuoco o lo shock elettrico.
- Disconnetta il cavo di alimentazione quando non state andando usare l'unità per i lunghi periodi di tempo.
- Accertarsi che il cavo d'alimentazione venga inserito in una presa che eroghi la corretta tensione.

Per inserire od estrarre il cavo d'alimentazione afferrarlo sempre per la spina. Non tirare o torcere il cavo di alimentazione.

Descrizione dei singoli controlli



A Sensore Remote

Per azionare il sistema a distanza, puntare sempre il telecomando verso questo sensore.

B POWER

Questo interruttore commuta l'apparecchio dalla condizione di standby a quella di spegnimento.

C STANDBY/ON

Quando l'interruttore POWER è premuto, premendo il tasto STANDBY/ON l'apparecchio si accende o commuta nella condizione di standby.

Quando l'amplificatore è in condizione di standby, l'indicatore Standby rimane acceso; quando entra in funzione, l'indicatore Standby si spegne.

D INPUT SELECTOR

Ruotare questa manopola (o premere i tasti INPUT SELECTOR sul telecomando) per selezionare una sorgente d'ingresso.

Uno degli indicatori si accende indicando la sorgente selezionata.

E TAPE 2 MONITOR

Volendo selezionare la sorgente collegata agli ingressi TAPE 2, premere il tasto TAPE 2 MONITOR: diventa così attiva la funzione d'ascolto del nastro. L'indicatore "TAPE MONITOR" si accende.

Per disattivare questa funzione, premere ancora il tasto TAPE 2 MONITOR.

F MUTING

Esclude temporaneamente il segnale audio.

Durante il silenziamento l'indicatore MUTING lampeggia.

G VOLUME

Ruotare questa manopola (o premere i tasti VOLUME del telecomando) per regolare il volume audio.

H Presa per il microfono (MIC) e controllo del livello relativo (MIC LEVEL)

Con il microfono inserito in questa presa, il suono percepito attraverso il microfono viene udito insieme al suono della sorgente selezionata tramite il selettore di ingresso INPUT SELECTOR. Se è necessario il messaggio con il microfono, inserire il microfono stesso nella presa MIC e regolarne il livello di ingresso per mezzo del comando MIC LEVEL.

I LOUDNESS

Premere questo tasto per aumentare la resa dei toni bassi durante l'ascolto a bassi volumi.

J BALANCE

Questa manopola permette di regolare il bilanciamento dei diffusori.

Di norma, dovrebbe rimanere in posizione centrale.

K SOURCE DIRECT

Premendo questo tasto si inserisce o si disinserisce questa funzione. Quando questa funzione è inserita, il tasto si illumina e si può così ascoltare la musica escludendo i controlli dei toni alti e bassi.

L TREBLE

Questa manopola permette di regolare il livello delle alte frequenze.

M BASS

Questa manopola permette di regolare il livello delle basse frequenze.

N SPEAKERS

Questo tasto attiva od esclude il funzionamento dei diffusori.

ON : il suono esce dai diffusori.

OFF : nessun suono viene emesso dai diffusori.

O PHONES

Quando si desidera un ascolto "privato", inserire qui la spina della cuffia; regolare poi il volume con la manopola VOLUME.

Telecomando

Quando azionando la lettore di CD (CD-P650) o il sintonizzatore (T-R650/T-R650DAB) che usa il telecomando, selezioni una sorgente che usa i tasti INPUT SELECTOR **(D)** del telecomando.

a ON

Quando è premuto l'interruttore POWER dell'amplificatore con questo tasto è possibile accendere o spegnere l'apparecchio che avete collegato tramite il cavo del telecomando.

b STANDBY

Quando è premuto l'interruttore POWER dell'amplificatore con questo tasto è possibile commutare in stand by l'apparecchio che avete collegato tramite il cavo del telecomando.

Altri tasti sono utilizzati per il funzionamento di TEAC's CD-P650, T-R650 e T-R650DAB.

Nota:

Per semplificare la spiegazione, queste descrizioni riportano i nomi di tasti e controlli situati sul pannello frontale dell'apparecchio, senza nessun riferimento all'uso del telecomando.

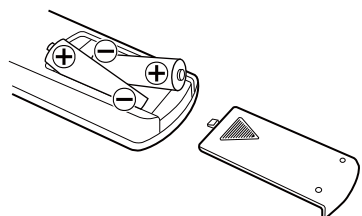
Funzionamento col telecomando

Questo amplificatore come anche altri componenti Teac che hanno serigrafato il marchio **UR** (UR) sul pannello frontale possono essere comandati tramite il telecomando del tipo UR in dotazione ai medesimi.

Quando si desidera utilizzare il telecomando ricordarsi di puntarlo verso il sensore (Remote Sensor) situato sul pannello frontale dell'apparecchio.

- Anche se il telecomando viene utilizzato da una distanza corretta, il comando a distanza potrebbe essere impossibile se vi sono degli ostacoli frapposti tra il telecomando e l'apparecchio.
- Se il telecomando viene utilizzato in prossimità di altri apparecchi che generano raggi infrarossi oppure se altri telecomandi utilizzando raggi infrarossi vengono utilizzati in prossimità dell'apparecchio, esso potrebbe funzionare in modo scorretto. Per lo stesso motivo anche gli altri apparecchi potrebbero funzionare in modo scorretto.

Installazione batterie



1. Rimuovere il coperchio del vano batterie.
2. Inserire due batterie "AAA" (R03 o UM-4). Accertarsi che le batterie siano inserite con i poli positivo \oplus e negativo \ominus nelle posizioni corrette.
3. Chiudere il coperchio fino a sentire uno scatto.

Sostituzione delle batterie

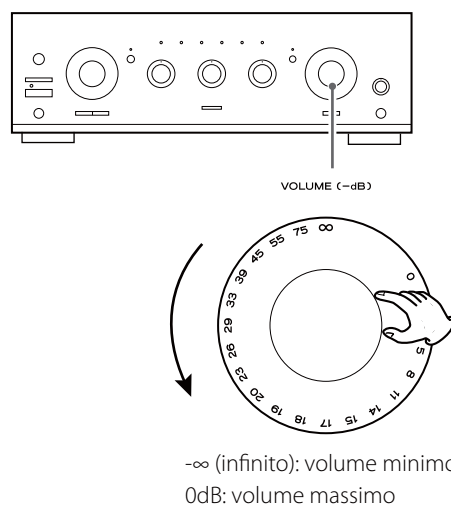
Se l'efficacia del telecomando diminuisce tanto da richiedere che vi avvicinate molto all'apparecchio, significa che le batterie si stanno scaricando. In questo caso ambedue le batterie vanno sostituite con altre nuove dello stesso tipo.

Precauzioni relative alle batterie

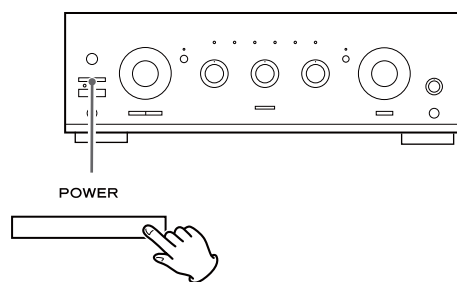
- Accertatevi di inserire le batterie con le corrette polarità.
- Usate batterie dello stesso tipo. Non usate batterie di tipo diverso insieme.
- Possono essere usate sia batterie normali che ricaricabili. Leggere sempre le precauzioni relative al loro uso sulle rispettive etichette.
- Se prevedete di non usare il telecomando per un lungo periodo (per oltre un mese), togliete le batterie dal telecomando per evitare che queste perdano acido.
- Se le batterie hanno perso acido all'interno del vano portabatterie, sostituitele dopo averlo ben pulito.
- Non usate tipi diversi di batterie se non quelle raccomandate. Non mescolate batterie di due tipi diversi né una scarica con una carica.
- Non riscaldate le batterie, non smembratele né gettatele nell'acqua o nel fuoco.
- Non conservate o trasportate batterie assieme ad oggetti metallici. Le batterie potrebbero far corto circuito, perdere o esplodere.
- Non cercate di ricaricare batterie non ricaricabili.

Operazioni fondamentali 1

- 1 Per proteggere i diffusori dall'ingresso improvviso di segnali di elevata intensità, ruotare in senso antiorario il controllo VOLUME per abbassare al minimo l'audio.**

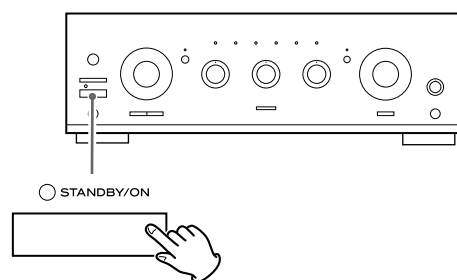


- 2 Premere l'interruttore POWER.**



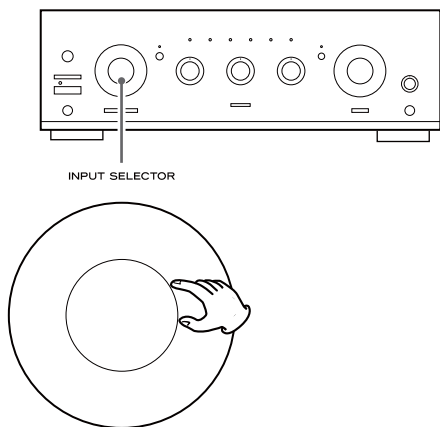
L'apparecchio commuta in condizione di attesa: l'indicatore standby si accende.

- 3 Premere l'interruttore STANDBY/ON per accendere l'apparecchio.**



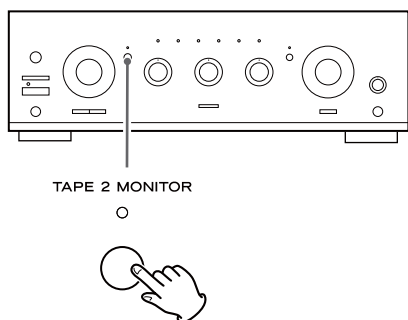
L'indicatore standby si spegne.

- 4** Selezionare la sorgente che si desidera ascoltare ruotando il selettore INPUT SELECTOR (o premendo uno dei tasti di selezione degli ingressi sul telecomando).



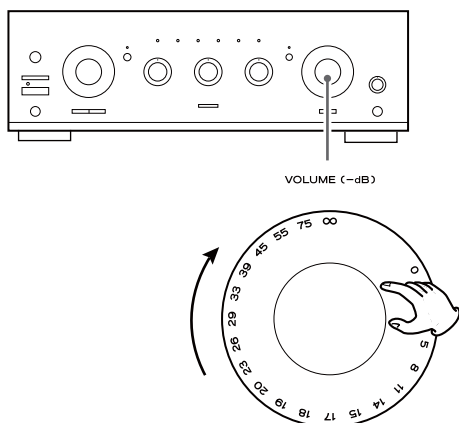
Funzione Tape Monitor

Volendo selezionare la sorgente collegata agli ingressi TAPE 2, premere il tasto TAPE 2 MONITOR: diventa così attiva la funzione d'ascolto del nastro. L'indicatore "TAPE MONITOR" si accende. Per disattivare questa funzione, premere ancora il tasto TAPE 2 MONITOR.



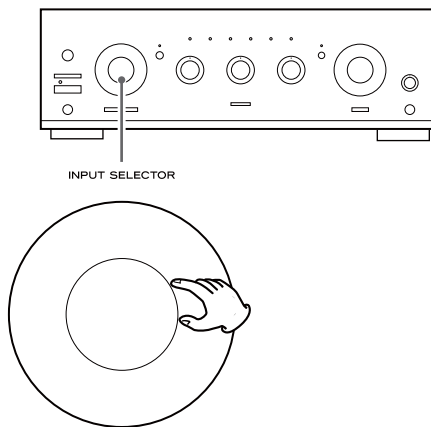
- Quando è attiva la funzione Tape Monitor, si può ascoltare esclusivamente il segnale proveniente dalla sorgente TAPE 2. Per ascoltare il segnale di altre sorgenti, bisogna perciò verificare che la funzione Tape Monitor sia disattivata.

- 5** Attivare in riproduzione la sorgente scelta e, ruotando il controllo VOLUME, alzare gradualmente l'audio fino al livello richiesto.



Registrazione di una sorgente

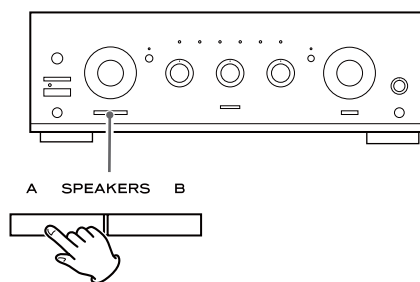
- 1** Selezionare la sorgente da registrare ruotando il selettore INPUT SELECTOR.



- 2** Iniziare la registrazione.

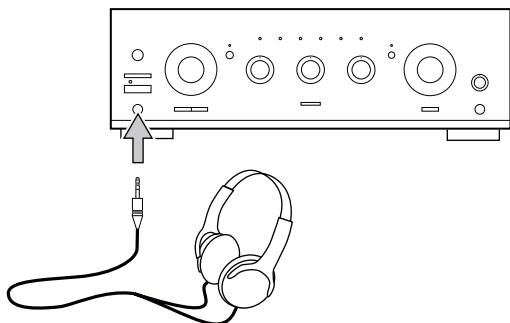
- I controlli di volume e tono dell'amplificatore non influiscono sulla registrazione.
- Quando ai connettori TAPE 2 (PLAY e REC) è collegato un registratore a cassetta a 3 testine, attivando la funzione Tape Monitor durante la registrazione, si potrà ascoltare quello che state registrando e non il segnale proveniente dalla sorgente.

Attivazione/disattivazione dei diffusori



Per attivare o disattivare i diffusori premere il tasto SPEAKERS (A o B).

Uso della cuffia



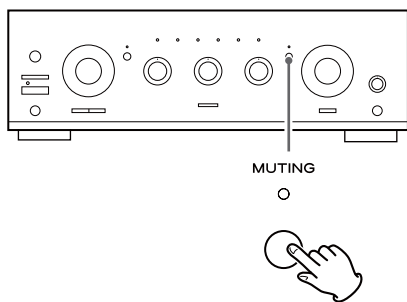
Volendo ascoltare senza disturbare il prossimo, ridurre dapprima al minimo il livello audio dell'apparecchio. Inserire la spina della cuffia nella presa PHONES, e poi regolare il volume ruotando la manopola VOLUME.

Per escludere l'ascolto tramite i diffusori, premere nuovamente il tasto SPEAKERS.

ATTENZIONE

Abbassate sempre il volume prima di collegare le vostre cuffie. PER EVITARE DANNI ALL'UDITO - Non indossate le cuffie prima di averle collegate ed aver regolato il volume d'ascolto.

Silenziamento

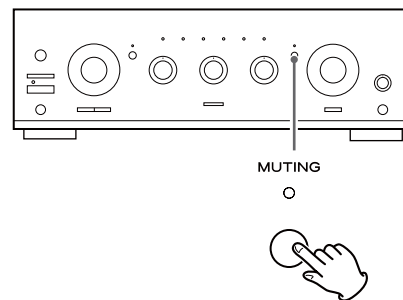


Per silenziare temporaneamente l'audio, premete il tasto MUTING.

Per ripristinare l'ascolto, premete nuovamente il tasto MUTING.

- Durante il silenziamento l'indicatore MUTING lampeggia.

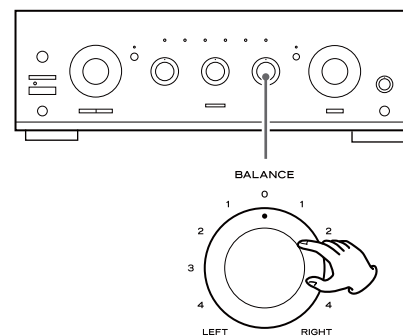
Tasto LOUDNESS



Premendo questo tasto aumenterà la resa dei toni bassi durante l'ascolto ai bassi volumi.

E' preferibile escludere questa funzione durante l'ascolto ad alto volume.

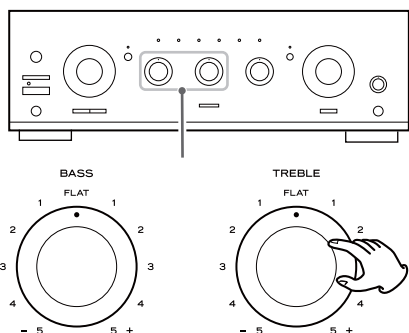
Regolazione del bilanciamento dei diffusori anteriori



Questa manopola permette di regolare il bilanciamento dei diffusori.

Di norma, dovrebbe rimanere in posizione centrale.

Comandi dei toni



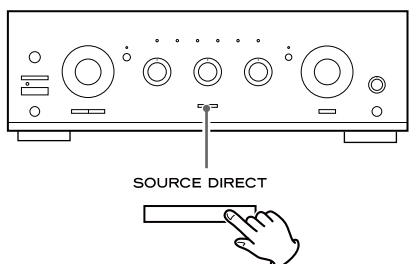
BASS

Questa manopola permette di regolare il livello delle basse frequenze.

TREBLE

Questa manopola permette di regolare il livello delle alte frequenze.

Source direct



Premendo questo tasto si inserisce o si disinserisce questa funzione. Quando questa funzione è inserita, il tasto si illumina e si può così ascoltare la musica escludendo i controlli dei toni alti e bassi.

Nell'eventualità di un comportamento difettoso di quest'apparecchio, prima di rivolgersi al rivenditore dove è stato acquistato oppure a un Centro assistenza TEAC, verificare se il difetto compare nell'elenco che segue e provare a risolverlo come consigliato.

Non arriva la corrente

- ➔ Verificare che la spina del cavo d'alimentazione sia inserita a fondo nella presa di rete. Per verificare se c'è corrente nella presa di rete, provare ad inserirvi un altro apparecchio, come un ventilatore o un phon.

Non esce suono dai diffusori

- ➔ Regolare il volume ruotando la manopola VOLUME.
- ➔ Posizionare al centro (0) il controllo di bilanciamento.
- ➔ Controllare che il collegamento dei diffusori e dei componenti sia ben fatto.
- ➔ Se avete collegato i diffusori alle uscite SPEAKER A (o B), per attivare l'ascolto premete il tasto SPEAKER A (o B).
- ➔ Se la funzione Tape Monitor è attiva e la relativa indicazione luminosa è accesa, premete il tasto TAPE 2 MONITOR per disattivarla.

Il volume dei diffusori A è diverso da quello dei diffusori B.

- ➔ Il volume e la qualità del suono possono differire a seconda del tipo e delle caratteristiche dei diffusori impiegati. Se decidete di ascoltare contemporaneamente due coppie di diffusori assicuratevi che siano dello stesso modello.

L'audio è disturbato

- ➔ L'amplificatore si trova troppo vicino a un televisore od altro elettrodomestico. Allontanarlo, oppure spegnere l'altro apparecchio.
- ➔ Verificare che il cavo della messa a terra del giradischi sia ben fissato al connettore SIGNAL GND sul pannello posteriore dell'A-R650.

Il suono s'interrompe durante l'ascolto, oppure manca del tutto anche se l'amplificatore è regolarmente alimentato

- ➔ L'impedenza dei diffusori è minore di quanto prescritto.
- ➔ Ridurre il volume d'ascolto.

Risposta scarsa dei toni bassi

- ➔ La polarità \oplus/\ominus dei diffusori è invertita. Verificare che i cavi di collegamento di tutti i diffusori siano stati eseguiti rispettando la corretta polarità.

Non funziona il telecomando

- ➔ Premere l'interruttore POWER dell'apparecchio, per accenderlo.
- ➔ Può darsi che le pile siano scariche: sostituirle con pile nuove.
- ➔ Usare il telecomando entro il suo raggio d'azione (5 metri) e puntarlo verso il pannello frontale dell'apparecchio.
- ➔ Eliminare qualsiasi ostacolo che impedisca il percorso del segnale dal telecomando all'apparecchio.
- ➔ Se fosse accesa una forte lampada vicino all'apparecchio, spegnerla.

Se non si riuscisse a ripristinare il normale funzionamento, provare a staccare il cavo d'alimentazione dalla presa di rete, e poi inserirlo di nuovo.

Caratteristiche tecniche

Amplificatore

Potenza di uscita continua	120 W + 120 W (a 1 KHz su 4 ohm, 0,5%) 90 W + 90 W (a 1 KHz su 8 ohm, 0,5%)
Distorsione armonica	0,02% (a 1 KHz, su 8 ohm, 60 W)
Sensibilità/impedenza d'ingresso	PHONO: 2,8 mV/47 K ohm LINE*: 180 mV/47 K ohm
Rapporto S/N (IHF-A)	PHONO: 65 dB LINE*: 90 dB
Livello/impedenza di uscita	TAPE: 150 mV/3,3 K ohm
Risposta in frequenza	PHONO: da 20 a 20.000 Hz, +/-1 dB (RIAA) LINE*: da 5 a 80.000 Hz (SOURCE DIRECT, 1 W)
Controllo del tono	Bassi: +/-10 dB (a 100 Hz) Acuti: +/-10 dB (a 10 KHz)
Muting	-20 dB

Generali

Alimentazione	corrente alternata a 230 V, 50 Hz
Consumo	300 watt
Standby	0,5 W
Dimensioni (L x A x P)	435 x 142 x 355 mm
Peso (netto)	9,2 Kg.

Accessori in dotazione :

Telecomando (UR-431) x 1
Batterie (AAA, R03, UM-4) x 2
Manuale d'uso x 1
Scheda di garanzia x 1
Cavo di alimentazione x 1

* Il termine LINE indica TUNER, CD, AUX1, AUX2, TAPE1/CD-R ed TAPE2.

- L'aspetto e le caratteristiche sono soggetti a modifiche senza preavviso.
- Le illustrazioni possono lievemente differire dai modelli di produzione.

Per i clienti europei

Disposizioni relative allo smaltimento di vecchi apparecchi e di pile scariche

La presenza di questi simboli sugli apparecchi, sugli imballi, e/o sulla documentazione a loro allegata, significa che gli apparecchi elettrici usati e le pile scariche non devono essere mescolati agli altri rifiuti domestici. Per un corretto smaltimento, stoccaggio e riciclaggio di questi materiali si prega di portarli in un centro abilitato come previsto dalle leggi vigenti in materia del vostro paese e secondo le direttive europee 2002/96/EC e 2006/66.

Lo smaltimento corretto di questi prodotti e delle pile, permette di risparmiare preziose risorse e di prevenire possibili effetti nocivi alla salute e all'ambiente che deriverebbero invece inevitabilmente da uno smaltimento inappropriato.

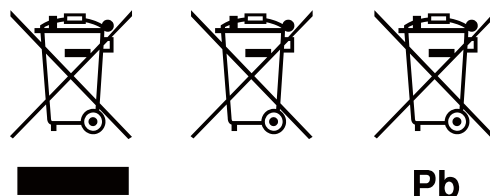
Per maggiori informazioni circa lo smaltimento ed il riciclaggio di vecchi prodotti e di pile scariche, pregasi contattare l'ufficio competente del vostro Comune o chiedere al rivenditore dove avete acquistato questi o altri prodotti simili.

Informazioni riguardanti lo smaltimento in Paesi non-UE.

Questi simboli sono validi solo nei Paesi membri UE. Se volete saperne di più relativamente allo smaltimento di questo tipo di prodotti, vi raccomandiamo di chiedere informazioni alle autorità locali del vostro paese.

Nota sui simboli relativi alle pile (esempi di due simboli in basso a destra):

Questo simbolo può essere usato assieme ad un simbolo chimico. In questo caso significa che sono state seguite le direttive relative alla sostanza chimica utilizzata.



Inhoud

Hartelijk dank dat u voor een TEAC product heeft gekozen. Lees deze handleiding zorgvuldig door om optimaal te kunnen profiteren van de mogelijkheden en prestaties van dit apparaat.

Voordat u begint.....	53
Aansluitingen.....	54
Bedieningsorganen.....	56
Afstandsbediening.....	58
Basisbediening.....	58
Problemen.....	61
Technische gegevens.....	62

Waarschuwing

- Stel het apparaat niet bloot aan spatten of druppels.
- Plaats geen vazen met vloeistof op het apparaat.
- Plaats dit apparaat niet in een afgesloten ruimte zoals een boekenkast.
- Het apparaat neemt een verwaarloosbaar vermogen op wanneer de POWER of STANDBY/ON schakelaar niet op ON (aan) staat.
- Plaats het apparaat voldoende dicht bij het stopcontact om indien nodig op elk moment gemakkelijk bij de netstekker te kunnen.
- Het apparaat wordt alleen door de netstekker uit te nemen van het lichtnet gescheiden, zorg daarom dat deze altijd bereikbaar is.
- Wanneer in het product batterijen aanwezig zijn (zoals een accu of losse batterijen) deze niet blootstellen aan zonlicht, vuur of excessieve warmte.
- WEES VOORZICHTIG met producten waarin losse lithium batterijen worden gebruikt; bij verkeerd inzetten of gebruik van een verkeerd type bestaat de kans op explosie. Uitsluitend vervangen door hetzelfde of equivalent type.
- Wees voorzichtig bij het aansluiten en losnemen van oortelefoons of een hoofdtelefoon omdat extreem luid geluid uw gehoor ernstig kunnen beschadigen.

Voordat u begint

Lees dit gedeelte aandachtig door voordat u uw A-R650 in gebruik neemt

- Het apparaat wordt tijdens gebruik warm en laat daarom altijd voldoende ruimte vrij voor ventilatie.
- De plaatselijke netspanning dient overeen te komen met de spanning die op de achterzijde van het apparaat is aangegeven. Raadpleeg in geval van twijfel uw leverancier of een elektricien.
- Kies de plaats waar u het apparaat opstelt met zorg. Vermijd plaatsen in direct zonlicht of in de nabijheid van een warmtebron. Vermijd ook plaatsen die aan trillingen onderhevig zijn en plaatsen met veel vuil, stof, warmte, koude of vocht.
- Plaats het apparaat niet op een versterker/receiver.
- Open het apparaat niet daar dat kan leiden tot schade aan het inwendige of elektrische schokken. Mocht een vreemd voorwerp in het apparaat terecht komen, neem dan contact op met uw leverancier of een servicetechnicus.
- Trek om de stekker uit het stopcontact te nemen altijd aan de stekker en nooit aan het snoer.
- Maak het apparaat nooit schoon met chemische middelen daar dit de afwerking kan aantasten. Gebruik een schone, droge, zachte doek.
- Bewaar deze handleiding voor later gebruik.
- Voor de afbeeldingen in deze handleiding is de Europese versie als voorbeeld genomen.

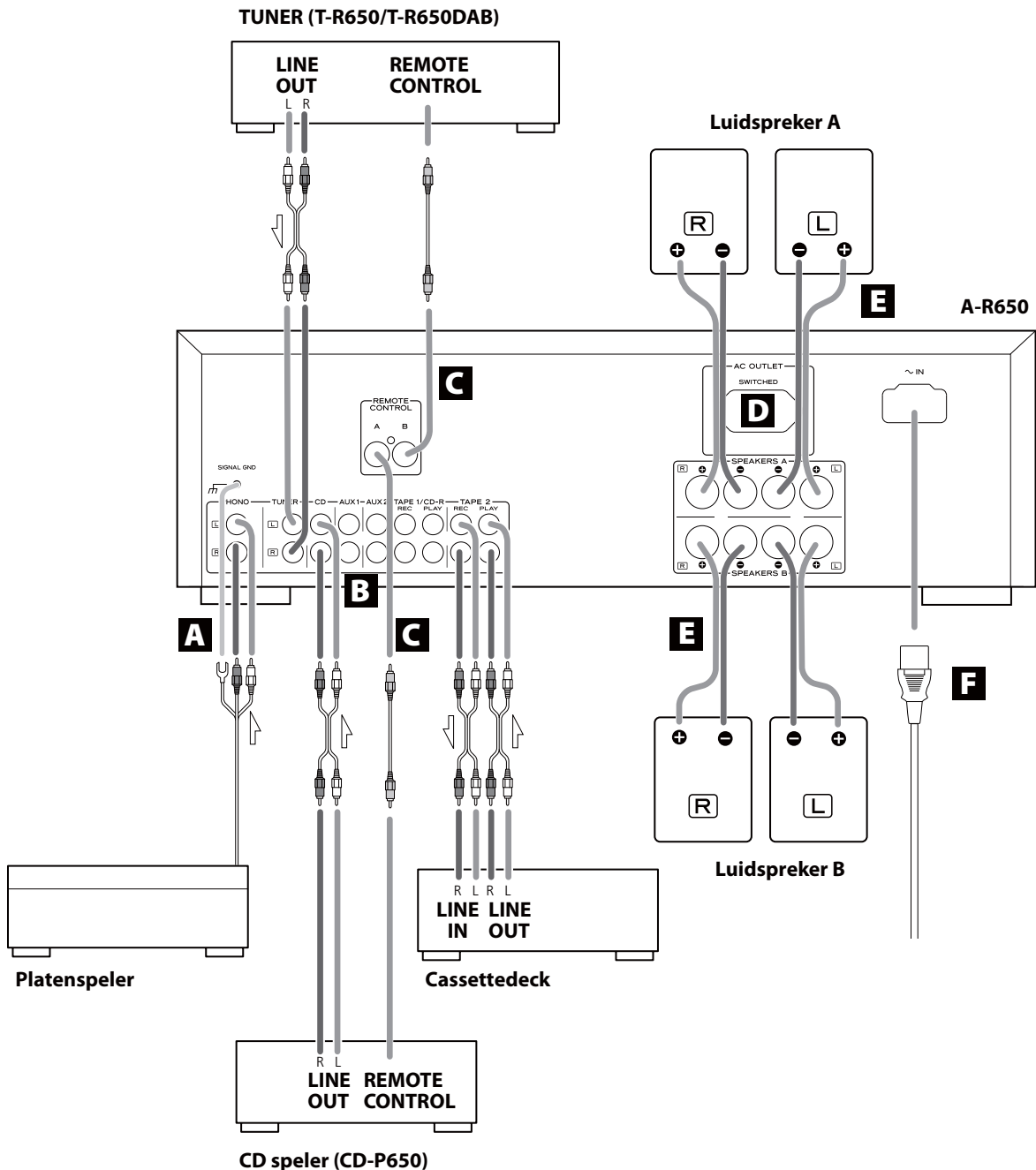
Onderhoud

Wanneer het apparaat vuil is, maak het dan schoon met een zachte, droge doek, eventueel bevochtigd met water waaraan een paar druppels van een mild reinigingsmiddel zijn toegevoegd. Maak het apparaat daarna goed droog. Gebruik nooit oplozende vloeistoffen zoals benzine, verdunner, enz. Deze stoffen kunnen de afwerking aantasten.

Aansluitingen

LET OP:

- Raadpleeg van te voren de handleidingen van de componenten die u op de A-R650 aan wilt sluiten.
- Zorg voor een correcte aansluiting van alle verbindingkabels.
- Bundel audiosignaal kabels niet met netstroom- of luidsprekerkabels om ongewenste interferentie te voorkomen.



- PHONO → Platenspeler
- TUNER → Tuner (T-R650/T-R650DAB)
- CD → CD speler (CD-P650).
- AUX1/AUX2 → Audio component
- TAPE1/CD-R → Casseteck, CD recorder, enz.
- TAPE2 → Casseteck, CD recorder, enz.

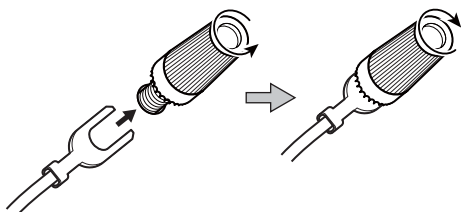
A PHONO en SIGNAL GND aansluitingen

Verbind de cinch kabels van een platenspeler (pick-up) met de PHONO aansluitingen.

Let op, aansluiten als volgt:

- witte plug → witte aansluiting (L: linkerkanaal)
- rode plug → rode aansluiting (R: rechterkanaal)

Verbind de massadraad van de platenspeler met de SIGNAL GND aansluiting.



B AUDIO IN/OUT aansluitingen

Een analoog 2-kanalen audiosignaal wordt via deze aansluitingen ontvangen of verzonden. Sluit de component aan met in de handel verkrijgbare cinch kabels.

Let op, aansluiten als volgt:

- witte plug → witte aansluiting (L: linkerkanaal)
- rode plug → rode aansluiting (R: rechterkanaal)

C REMOTE CONTROL aansluitingen

Wanneer u in het bezit bent van een TEAC T-R650, T-R650DAB en CD-P650 sluit dan de REMOTE CONTROL (A of B) plug van elke component aan met de kabel die bij de T-R650, T-R650DAB en CD-P650 hoort.

D AC lichtnetuitgang (geschakeld)

Deze aansluiting is alleen actief als de A-R650 is ingeschakeld.

Waarschuwing:

Het totale opgenomen vermogen van de op de A-R650 aangesloten componenten mag niet meer dan 100 W bedragen (0,5 A).

E Luidsprekeruitgangen

Waarschuwing:

Om beschadiging van het apparaat door overbelasting of kortsluiting te voorkomen, de A-R650 uitschakelen voordat u de luidsprekers aansluit.

- Controleer de impedantie van uw luidsprekers. Gebruikt u één paar luidsprekers, sluit dan luidsprekers met een impedantie van 4 tot 16 ohm aan (SPEAKERS A of SPEAKERS B). Gebruikt u twee paar luidsprekers tegelijk dan dient de impedantie van deze luidsprekers 8 tot 16 ohm zijn.
- De zwarte luidsprekeraansluitingen van de versterker zijn de negatieve ⊖ aansluitingen. Bij de meeste luidsprekerkabels is de ⊕ ader van de luidsprekerkabel gemerkt of gekleurd om deze te onderscheiden van de ⊖ ader van de kabel. Verbind de gemerkte/gekleurde ader met de ⊕ aansluiting en de ongemerkte ader met de zwarte ⊖ aansluiting.

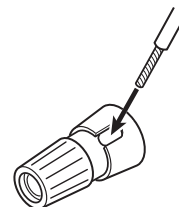
WAARSCHUWING:

Let er op dat de metalen einden van de twee draden niet met elkaar in aanraking komen omdat dit kortsluiting tot gevolg kan hebben. Dit kan mogelijk brand veroorzaken en/of uw HiFi systeem ernstig beschadigen.

Aansluiten van de luidsprekers

SPEAKERS A, B

1. Draai de schroef naar links los. De schroef kan niet van de aansluiting worden verwijderd.
2. Steek de draad volledig in de aansluiting en draai de schroef naar rechts stevig vast.



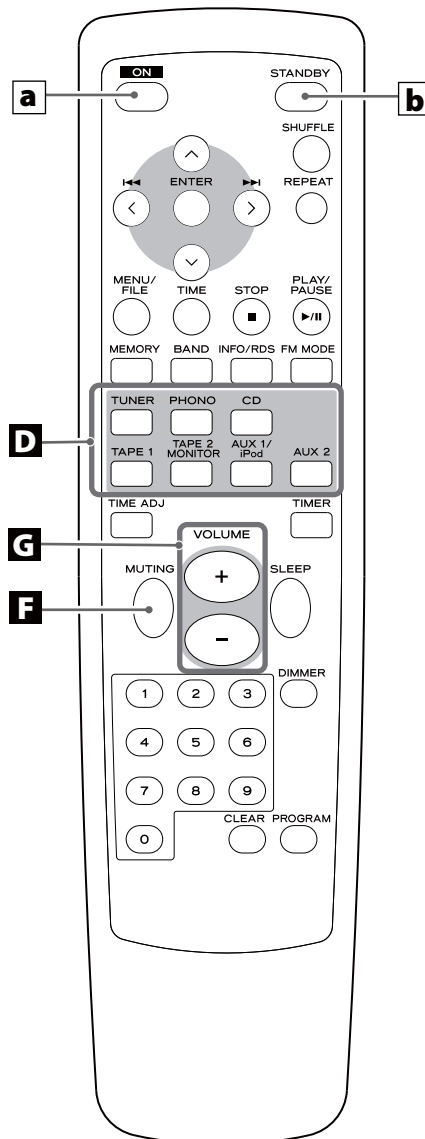
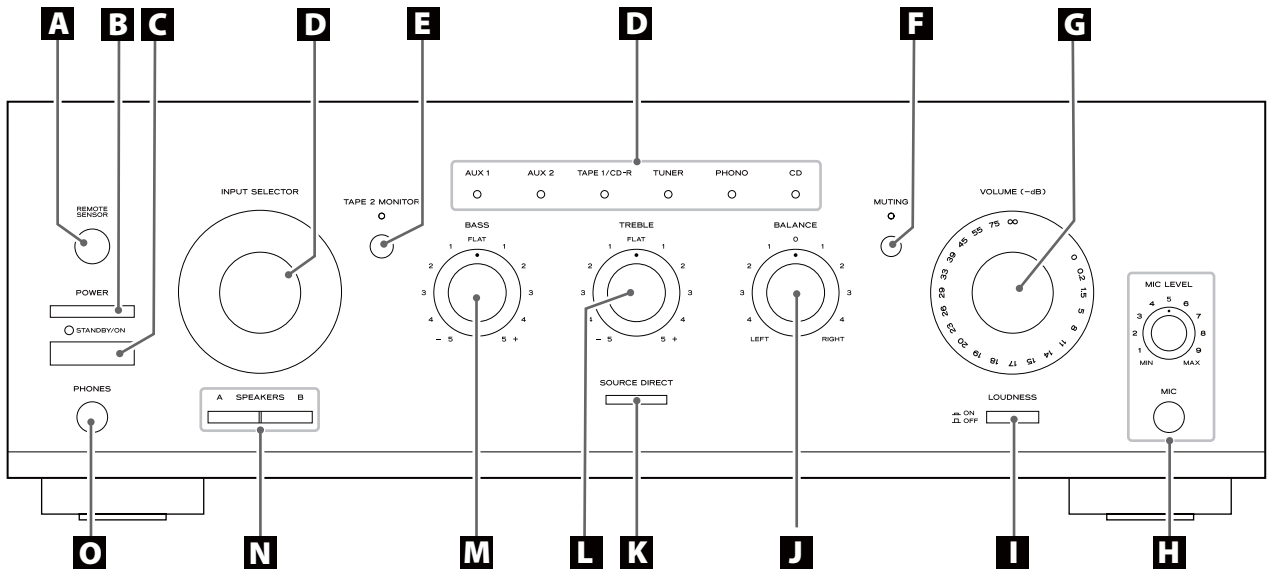
- Let er op dat geen isolatiemateriaal van de draad in de aansluiting komt, steek alleen het metalen gedeelte van de kabel in de aansluiting.
- Controleer of de luidsprekerkabels stevig vast zitten door er licht aan te trekken.

f LICHTNETAANSLUITING

Gebruik uitsluitend het bijgevoegde netsnoer.

- Gebruik van een ander netsnoer kan leiden tot brand of een elektrische schok.
- Neem de stekker uit het stopcontact wanneer u het apparaat voor langere tijd niet zult gebruiken.
- Let er op dat het netsnoer op een stopcontact met de juiste spanning, die overeenkomt met de spanning van het apparaat, wordt aangesloten.
- Gebruik altijd de stekker om het netsnoer in het stopcontact te doen of om het netsnoer uit het stopcontact te halen. Trek nooit aan de netstroomkabel.

Bedienungsorganen



A **Sensor**

Richt de afstandsbediening op de Sensor op de voorzijde van de A-R650.

B **POWER**

Druk op deze toets om de A-R650 in de standby stand te zetten of om het systeem uit te schakelen.

C **STANDBY/ON**

Wanneer de A-R650 is ingeschakeld met POWER, kunt u het apparaat met deze toets in- en uitschakelen (standby).

De STANDBY indicatie licht op wanneer de A-R650 in standby staat. Deze indicatie dooft zodra het systeem wordt ingeschakeld.

D **INPUT SELECTOR**

Hiermee kiest u de gewenste signaalbron. Een indicatie geeft aan welke signaalbron u heeft gekozen.

E **TAPE 2 MONITOR**

Wanneer een cassettedeck is verbonden met de TAPE 2 ingang, schakelt u hiermee de Tape Monitor functie in en uit. De indicatie licht op wanneer Tape Monitor is ingeschakeld.

F **MUTING**

Indrukken om het geluid tijdelijk te verzwakken. De indicatie MUTING knippert als de MUTING is ingeschakeld. Nogmaals indrukken om het geluid weer normaal in te schakelen.

G **VOLUME**

Draai hieraan (of druk op VOLUME op de afstandsbediening) om het volume in te stellen.

H **Microfooningang (MOC) en Microfoon niveau-instelling (MIC LEVEL)**

Het geluid van de hierop aangesloten microfoon wordt samen met het geluid van de met de INPUT SELECTOR gekozen bron hoorbaar.

Het niveau van de microfoon regelt u met MIC LEVEL.

I **LOUDNESS**

Indrukken om het tekort aan lage tonen op laag niveau te compenseren.

J **BALANCE**

Hiermee regelt u de balans tussen beide luidsprekers. Normaal gesproken staat deze regelaar in de middenpositie.

K **SOURCE DIRECT (Signaalbron direct)**

Druk op SOURCE DIRECT om het signaal direct naar de volumeregelaar te schakelen. De toets licht op en de klankregeling is uitgeschakeld.

L **TREBLE**

Regelt de sterkte van de hoge frequenties in het signaal.

M **BASS**

Regelt de sterkte van de lage frequenties in het signaal.

N **SPEAKERS**

Gebruik deze toetsen om de luidsprekers (A of B) in of uit te schakelen.

ON: ingeschakeld

OFF: uitgeschakeld

O **PHONES**

Sluit hierop een hoofdtelefoon aan en regel het volume met de VOLUME regelaar.

Afstandsbediening

Bij het bedienen van de CD-speler (CD-P650) of de tuner (T-R650/T-R650DAB) met de afstandsbediening kiest u eerst met de INPUT SELECTOR de ingang **(D)** op de afstandsbediening.

a **ON**

Wanneer POWER op de A-R650 is ingedrukt, kunt u hiermee het systeem inschakelen.

b **STANDBY**


Wanneer POWER op de A-R650 is ingedrukt, kunt u hiermee het systeem in standby zetten.

De overige toetsen worden gebruikt voor het bedienen van de TEAC CD-P650, T-R650 en T-R650DAB.

Opmerking:

Om de volgende instructies eenvoudiger te maken worden de namen van de toetsen op de voorzijde van de A-R650 gebruikt en niet de namen van de toetsen op de afstandsbediening.

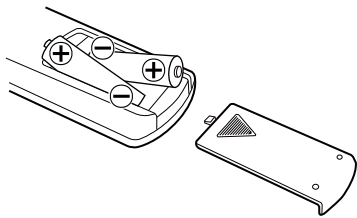
Afstandsbediening

De A-R650 en verschillende andere TEAC componenten die van het UR logo  op de voorzijde dragen, kunnen bediend worden met de meegeleverde "UR" afstandsbediening.

Richt bij gebruik de afstandsbediening op de REMOTE SENSOR op de voorzijde de A-R650 (of een andere TEAC component).

- Ondanks het feit dat de afstandsbediening binnen het effectieve bereik wordt gebruikt, kan de aanwezigheid van obstakels ertoe leiden dat deze niet werkt.
- Wanneer de afstandsbediening wordt gebruikt in de nabijheid van apparaten die infrarood signalen afgeven, of in combinatie met andere afstandsbedieningen, dan kan deze onjuist werken. Ook kunnen dan die andere apparaten onjuist reageren.

Batterijen inzetten



1. Verwijder het deksel van het batterijvak.
2. Leg twee "AAA" (R03, UM-4) droge batterijen in. Let bij het inzetten vooral op de juiste positie van positief \oplus en negatief \ominus .
3. Breng het deksel weer aan.

Batterijen vervangen

Wanneer het bereik van de afstandsbediening merkbaar terugloopt kan het nodig zijn de batterijen te vervangen. Vervang altijd beide batterijen tegelijk door nieuwe batterijen van hetzelfde type.

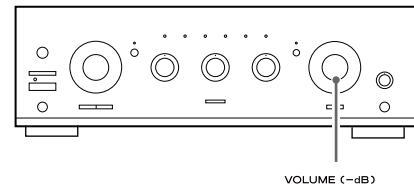
Voor nadere informatie omtrent het inleveren van oude batterijen kunt u zich tot de lokale instanties of tot uw leverancier wenden.

Voorzorgsmaatregelen bij het gebruik van batterijen

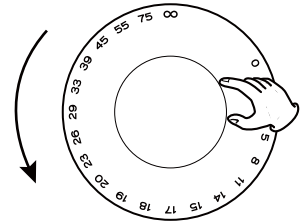
- Let bij het inzetten van de batterijen op de juiste polariteit van " \oplus " en " \ominus ".
- Gebruik uitsluitend batterijen van hetzelfde type, gebruik nooit batterijen van verschillende typen samen.
- U kunt gewone en oplaadbare batterijen gebruiken. Let op de aanwijzingen op de verpakking.
- Wanneer de afstandsbediening voor langere tijd niet zal worden gebruikt (meer dan een maand), neem dan de batterijen uit de afstandsbediening om lekken te voorkomen.
- Wanneer de batterijen hebben gelekt, maak dan de binnenzijde van het batterijvak goed schoon en leg nieuwe batterijen in.
- Gebruik nooit andere batterijen dan die welke zijn voorgeschreven. Gebruik ook nooit gebruikte en nieuwe of verschillende typen batterijen door elkaar.
- Verhit of demonteer batterijen niet en gooi ze niet in het vuur of in het water.
- Vervoer of bewaar batterijen niet samen met metalen objecten. De batterij kan worden kortgesloten en zeer heet worden of ontploffen.
- Laad batterijen nooit op.

Basisbediening 1

- 1 Om beschadiging van de luidsprekers door plotselinge luide signalen te voorkomen, bij het inschakelen VOLUME naar links (minimum) draaien.**

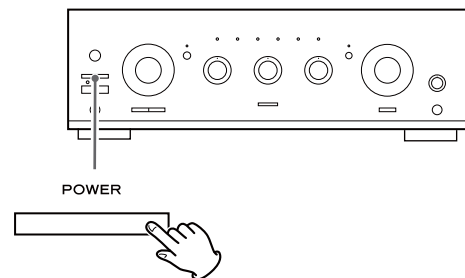


VOLUME (-dB)



-∞ (oneindig): minimum volume
0dB: maximum volume

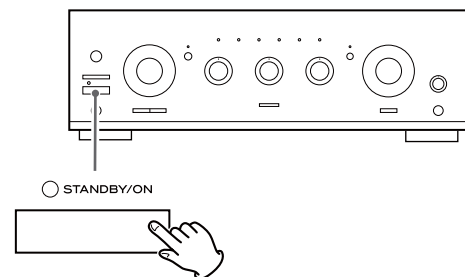
- 1 Druk op POWER.**



POWER

De A-R650 wordt op standby geschakeld en de standby indicatie licht op.

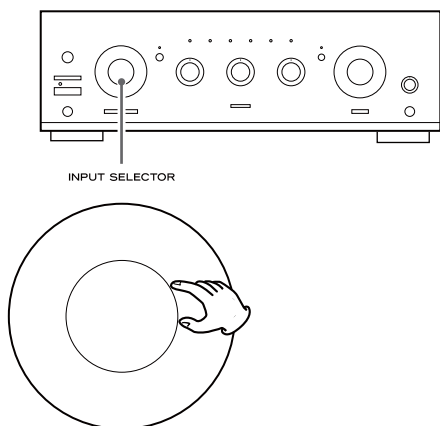
- 3 Druk op STANDBY/ON om het apparaat in te schakelen.**



STANDBY/ON

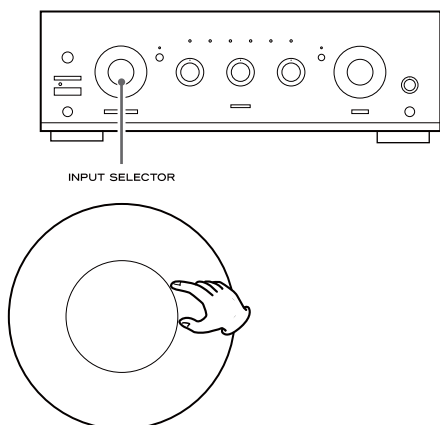
De standby indicatie dooft.

- 4** Kies een bron met **INPUT SELECTOR**, of druk op een ingang op de afstandsbediening.



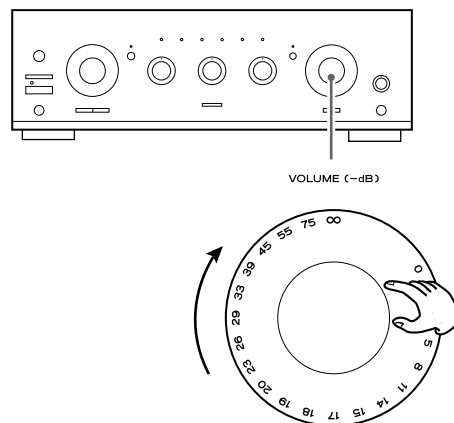
Tape Monitor functie

Om een bron te kiezen die is aangesloten op TAPE 2, drukt u op TAPE 2 MONITOR. De indicatie TAPE 2 MONITOR licht op. Druk nogmaals op TAPE 2 MONITOR om de tape-monitorfunctie weer uit te schakelen.



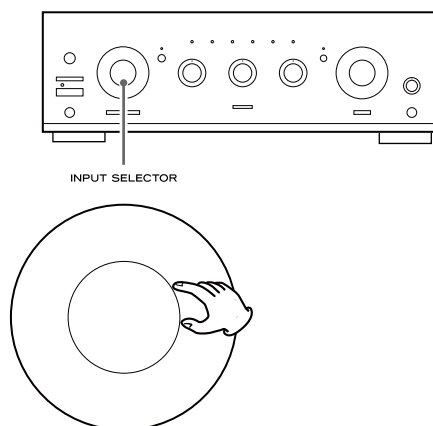
- Wanneer de tape monitor actief is, kunnen geen andere bronnen worden beluisterd. Vergeet daarom niet de monitorfunctie uit te schakelen om naar andere bronnen te luisteren.

- 5** Speel de bron af en verhoog de geluidsterkte langzaam met **VOLUME** totdat het gewenste volume bereikt is.



Opnemen van een externe bron

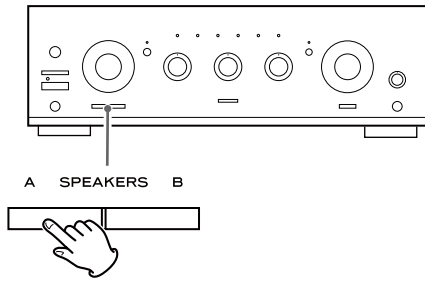
- 1. Kies de op te nemen geluidsbron met INPUT SELECTOR.**



- 2. Start het opnemen.**

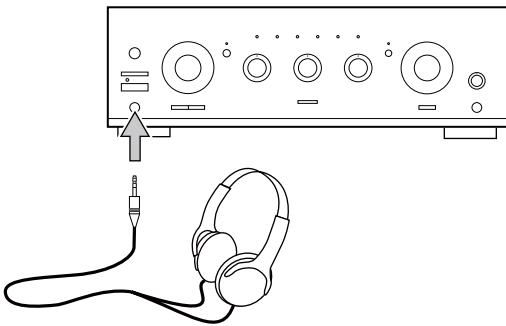
- De instellingen van volume en de klankregeling hebben geen invloed op de opname.
- Wanneer via TAPE 2 (PLAY en REC) een 3-koppen deck wordt gebruikt en u schakelt tijdens opname op Tape Monitor, dan hoort u het juist opgenomen signaal en niet dat van de bron. U kunt zo het bronsignaal met de opname vergelijken (nabandcontrole).

Luidsprekers kiezen



Druk op de SPEAKERS toets (A of B) om de luidsprekers in of uit te schakelen.

Hoofdtelefoon



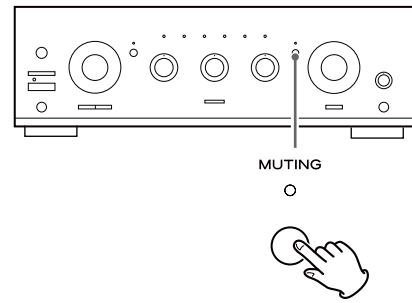
Reduceer eerst het volume van de A-R650 tot minimum, steek dan de plug van uw hoofdtelefoon in de PHONES uitgang en regel het niveau met VOLUME.

Met SPEAKERS kunt u het geluid van de luidsprekers uitschakelen.

Waarschuwing

Draai het volume altijd terug naar minimum voordat u de hoofdtelefoon aansluit om beschadiging van uw oren te voorkomen. Zet de hoofdtelefoon pas op nadat u deze heeft aangesloten.

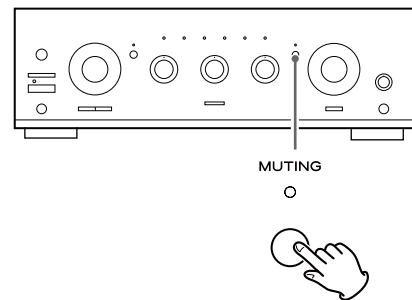
Muting



Om het geluid tijdelijk te onderbreken drukt u op MUTING. Druk opnieuw op MUTING om het geluid weer in te schakelen.

- Wanneer het geluid is uitgeschakeld, licht de indicatie MUTING knipperen.

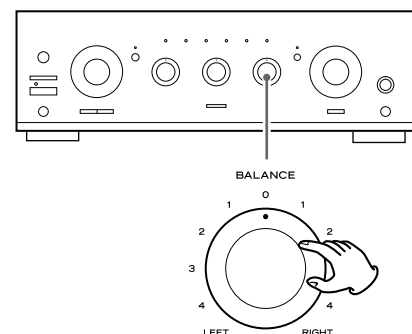
LOUDNESS



Hiermee compenseert u voor het verlies aan lage frequenties op laag niveau.

Schakel deze functie tijdens het luisteren op normaal niveau uit

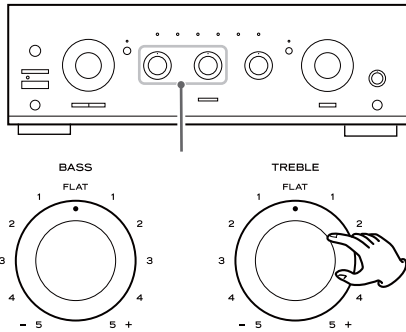
Balans



Hiermee regelt u de balans tussen beide luidsprekers.

Normaal gesproken staat deze regelaar in de middenpositie.

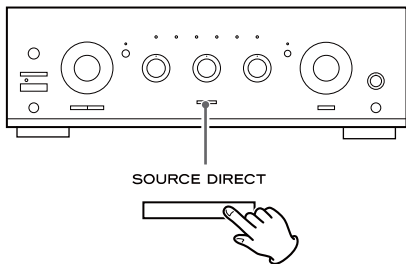
Klankregeling



Draai aan BASS om het niveau van de lage frequenties in te stellen.

Draai aan TREBLE om het niveau van de hoge frequenties in te stellen.

Source Direct (Bron direct)



Druk op SOURCE DIRECT om het signaal direct naar de volumeregelaar te schakelen. De toets licht op en de klankregeling is uitgeschakeld.

Heeft u problemen met de A-R650, raadpleeg dan onderstaand overzicht om te zien of u het zelf kunt oplossen. Als het probleem blijft bestaan neem dan contact op met een HiFi vakman of het TEAC-Servicecenter.

Geen netspanning

- ➔ Controleer of het apparaat correct op het stopcontact is aangesloten.
Mocht het stopcontact schakelbaar zijn, controleer dan of het is ingeschakeld met een lamp o.i.d..

Geen of slechts zwak geluid

- ➔ Controleer de aansluitingen van de luidsprekers en van de versterker. Overtuig u ervan dat de aansluitingen correct en zeker gemaakt zijn.
- ➔ Zijn uw luidsprekers verbonden met de uitgangen SPEAKERS A (of B), controleer dan of SPEAKERS A (of B) op de voorzijde is ingedrukt.
- ➔ Als de tape/monitorfunctie is geactiveerd druk dan op TAPE 2 MONITOR om deze functie uit te schakelen.

Het niveau van SPEAKERS A verschilt van dat van SPEAKERS B.

- ➔ Het geluidsniveau en de kwaliteit van het geluid kunnen, afhankelijk van het luidsprekervermogen enz., verschillend zijn. Als u de SPEAKERS A en SPEAKERS B uitgangen tegelijk wilt gebruiken met een overeenkomstig niveau sluit dan luidsprekers van exact hetzelfde type op de SPEAKERS A en B uitgangen aan.

Het geluid is niet zuiver of klinkt vervormd

- ➔ De A-R650 staat te dicht bij een TV toestel/monitor of een soortgelijk apparaat.
Verplaats de apparaten om interferentie te voorkomen of schakel ze uit.
- ➔ Verbind de massadraad van de platenspeler met de SIGNAL GND aansluiting.

Het geluid stopt tijdens weergave van de muziek of er is geen geluid hoorbaar na het inschakelen van het apparaat.

- ➔ De luidspreker-impedantie is lager dan voor het apparaat is voorgeschreven.
- ➔ Schakel het apparaat uit en stel het volume lager in.

De lage tonen zijn niet of niet goed hoorbaar

- ➔ De polariteit ⊕ en ⊖ van een van de luidsprekers is verwisseld.
Controleer de luidsprekers op polariteit.

Problemen 2

De afstandsbediening functioneert niet.

- ➔ Druk op de POWER toets om de A-R650 in te schakelen.
- ➔ Vervang alle batterijen in de afstandsbediening door nieuwe. Mogelijk zijn deze te zwak.
- ➔ Gebruik de afstandsbediening dicht(er) bij het apparaat (minder dan 5m) en richt de afstandsbediening op de sensor op de voorzijde van de A-R650.
- ➔ Verwijder eventuele obstakels die zich tussen de afstandsbediening en de A-R650 bevinden.
- ➔ Als er een fluorescerende lamp of een ander soort felle lamp in de omgeving van de A-R650 staat verwijder deze dan of schakel hem uit.

Als normale bediening niet meer mogelijk is trek dan de stekker uit het stopcontact en steek hem vervolgens na 20 seconden weer terug in het stopcontact.

Voor Europese Klanten

Informatie voor Gebruikers Over het Verzamelen en Verwerken van Oude Apparatuur en Gebruikte Batterijen

Deze symbolen op de producten, de verpakking en/of bijbehorende documenten, betekenen dat gebruikte elektrische en elektronische producten en batterijen niet met het huisvuil mogen worden weggegooid. Voor een juiste behandeling, verwerking en recycling van oude producten en gebruikte batterijen kunt u terecht bij de daarvoor aangewezen depots in overeenstemming met de plaatselijke wetgeving en de richtlijnen 2002/96/EU en 2006/66/EU.

Door deze producten en de batterijen correct te behandelen, helpt u waardevolle materialen te behouden en eventuele negatieve effecten op de gezondheid en het milieu ten gevolge van onverantwoorde behandeling te voorkomen.

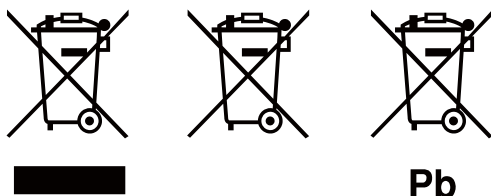
Nadere informatie over het verzamelen en recyclen van oude producten en batterijen kan de plaatselijke milieudienst u geven en anders de leverancier van het product.

Informatie over het Afvoeren in Landen Buiten de Europese Unie

Deze symbolen gelden alleen voor de Europese Unie en wanneer u deze producten wilt afvoeren, neem dan contact op met de plaatselijke autoriteiten of uw leverancier voor de juiste wijze van afvoeren.

Opmerking over het batterij symbool (hieronder rechts twee voorbeelden):

Dit symbool kan worden gebruikt in combinatie met een chemisch symbool. In dat geval voldoet het aan de eisen als gesteld in de richtlijn voor desbetreffende chemicaliën.



Technische gegevens

Versterker gedeelte

Continue uitgangsvermogenRMS: 120 W + 120 W (1 kHz, 4Ω, 0,5%) 90 W + 90 W (1 kHz, 8Ω, 0,5%)
Totale harmonische vervorming 0,02% (1 kHz, 8Ω, 60 W)
Ingangsgevoeligheid/Impedantie PHONO: 2,8 mV/47 kΩ LINE*: 180 mV/47 kΩ
Signaal-tot-ruisverhouding (IHF-A) PHONO: 65 dB LINE*: 90 dB
Uitgangsniveau/ImpedantieTAPE: 150 mV/3,3 kΩ
Frequentiebereik PHONO: 20-20.000 Hz, ±1 dB (RIAA) LINE*: 5-80.000 Hz (SOURCE DIRECT, 1W)
Klankregeling Lage tonen: ±10 dB bij 100 Hz Hoge tonen: ±10 dB bij 10 kHz
Muting -20 dB

Algemeen

LichtnetspanningAC 230V, 50Hz
Opgenomen vermogen300 W Standby 0,5 W
Afmetingen (B x H x D) 435 x 142 x 355 mm
Gewicht (netto) 9,2 kg

Standaard accessoires

- Afstandsbediening (UR-431) x 1
- Batterij (AAA, R03, UM-4) x 2
- Handleiding x 1
- Garantiebewijs x 1
- Netsnoer x 1

*LINE betekent TUNER, CD, AUX1, AUX2, TAPE1/CD-R, TAPE2.

- Ontwerp en uitvoering kunnen zonder voorafgaande kennisgeving worden gewijzigd.
- De illustraties kunnen licht afwijken van de productiemodellen.

TEAC

TEAC CORPORATION	1-47 Ochiai, Tama-shi, Tokyo 206-8530, Japan Phone: (042) 356-9156
TEAC AMERICA, INC.	7733 Telegraph Road, Montebello, California 90640 U.S.A. Phone: (323) 726-0303
TEAC CANADA LTD.	5939 Wallace Street, Mississauga, Ontario L4Z 1Z8, Canada Phone: (905) 890-8008
TEAC MEXICO, S.A. de C.V.	Río Churubusco 364, Colonia Del Carmen, Delegación Coyoacán, CP 04100, México DF, México Phone: (5255)5010-6000
TEAC UK Ltd.	Suites 19 & 20, Building 6, Croxley Green Business Park, Hatters Lane, Watford, Hertfordshire, WD18 8TE, U.K. Phone: (0845) 130-2511
TEAC EUROPE GmbH	Bahnstraße 12, D-65205 Wiesbaden-Erbenheim, Deutschland Phone: 0611-71580

This appliance has a serial number located on the rear panel. Please record the model number and serial number and retain them for your records.

Model number _____ Serial number _____

0410 MA-1582A